



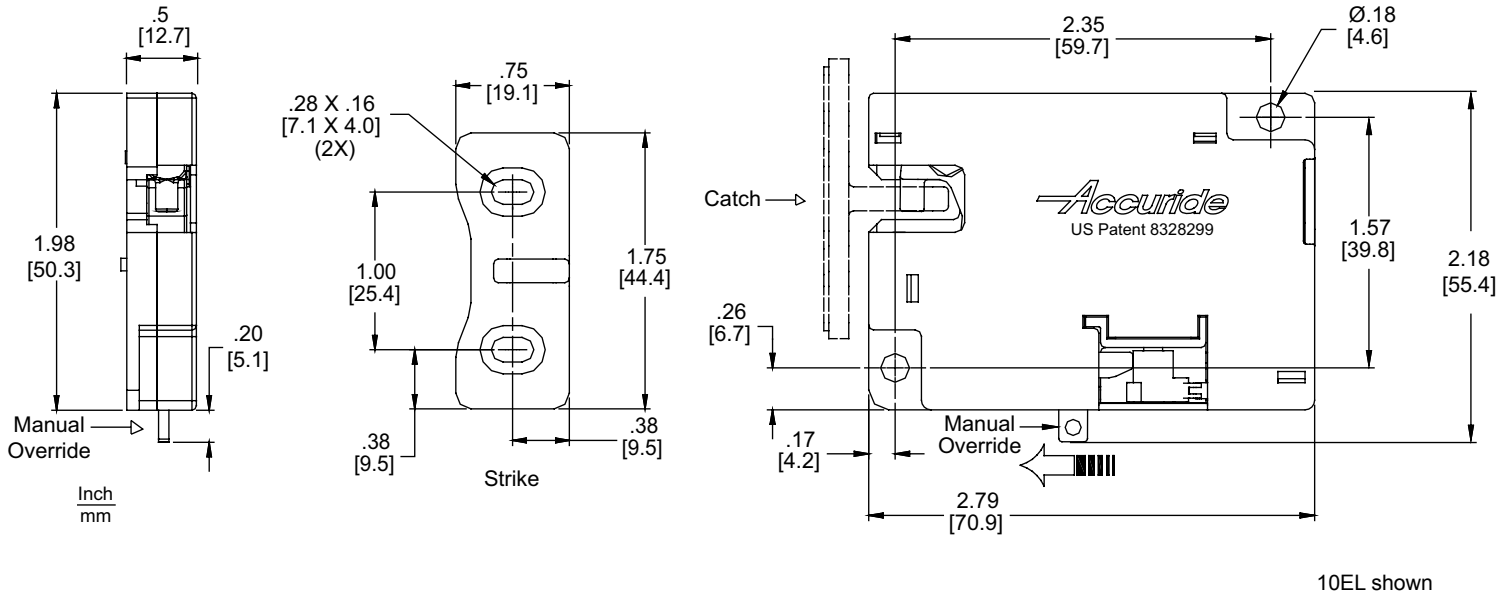
APPLICATION: Provides an easy-to-install method to secure and control access to doors and other openings. This product is covered by U.S. (8,328,299), and various patents pending.

A10EL Family QUICK REFERENCE

Height: 2.18" [55.4 mm]
 Length: 2.79" [70.9 mm]
 Thickness: .50" [12.7 mm]

MODELS:
A10EL-1/AC10ELAO1/AC10TREL-1/AC10EL-2
A10ELS/A10ELSAO/A10TRELS/A10ELS-2

Electronic Lock
 Withstands up to 250 pounds of force
 Available standard lock/unlock, Auto-Open, and electronic touch release.
 With and without subversion protection feature



10EL shown

Finish: Zinc and black polymer

Height: 2.18" [55.4 mm]

Length: 2.79" [70.9 mm]

Thickness: .50" [12.7 mm]

Mounting Hardware: #8 pan head screw

Features: Electronic locking mechanism with manual override
 Withstands up to 250 pounds of force
 Installation jig assists positioning for doors


10EL: Lock/Unlock, with a detent (open manually)

10ELAO: Auto-Open (automatically opens and propels doors or drawers open about 2" when unlocked)
 Note: Auto-Open action works best with auto-lock feature.
 Free swing hinges are recommended for Auto-Open best performance.

10TREL: Electronic touch release and electronic lock.
 Note: Mechanism propels doors or drawers open when activated by touch.
 Free swing hinges are recommended for Touch Release best performance.

10EL-2: Standard lock/unlock, for doors or drawers with soft-close hinges or drawers with soft-close slides.

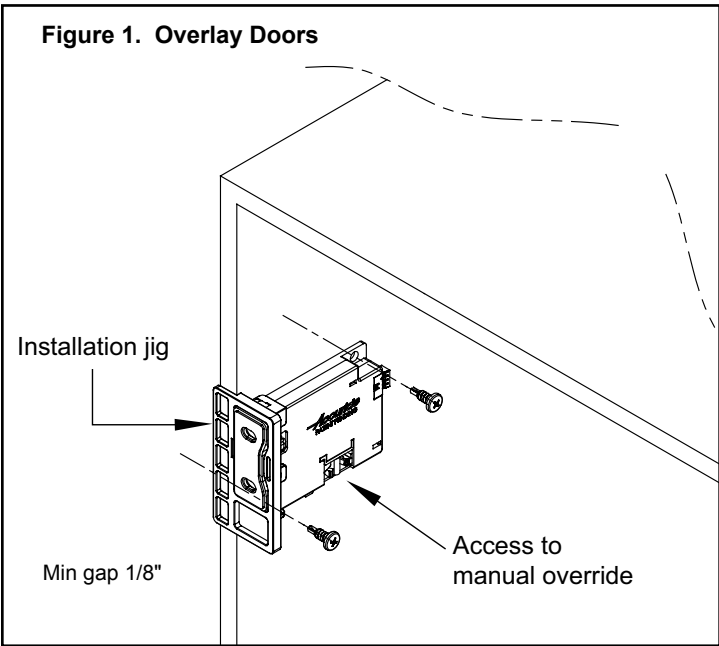
S Models: Include Subversion Protection feature.
100% Guaranty the secure status output from Pin 1 only occurs when the catch is in the locked position and the lock is secure.



WARNING! Before installing the lock, you must have access to the manual override lever or the activation device connected. **Otherwise, you will not be able to unlock and open the door.**

Overlay Doors

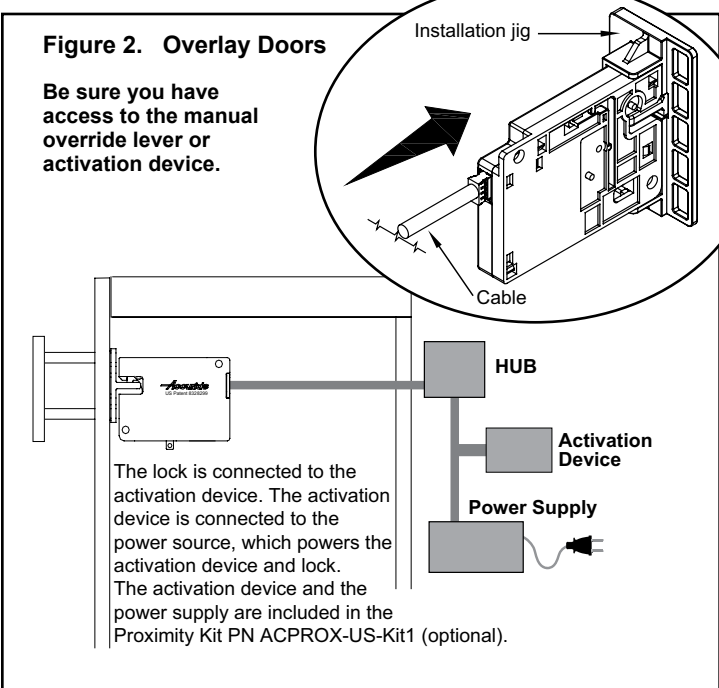
1. Locate lock assembly by placing the installation jig against the edge of the cabinet at the position desired (Figure 1).
2. Attach the lock assembly to the cabinet using the appropriate mounting screws for your application (Figure 1).



3. Install the cable to the connector located at the back of the lock assembly. Perform the electrical installation and **make sure the lock assembly locks and unlocks properly before closing the door** (Figure 2).

Figure 2. Overlay Doors

Be sure you have access to the manual override lever or activation device.



Installation jig

Cable

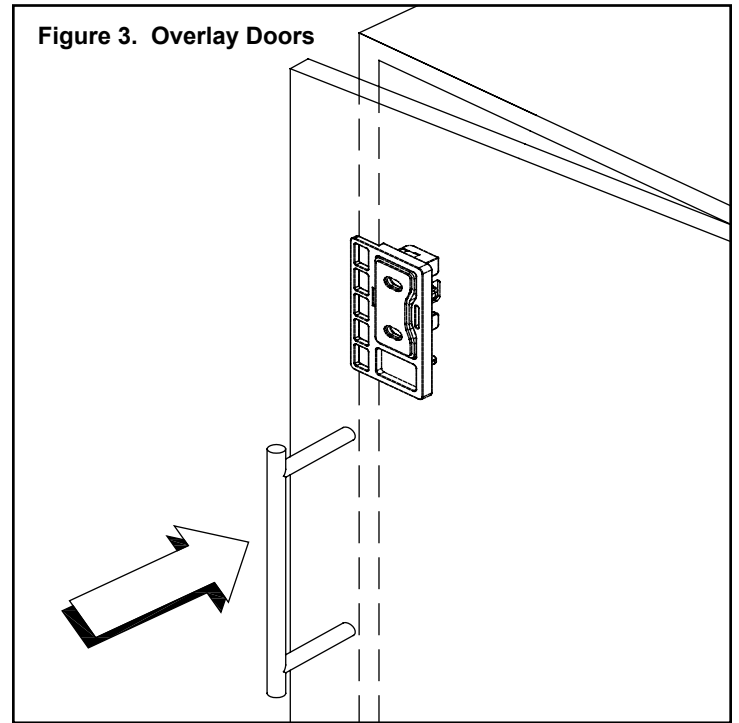
HUB

Activation Device

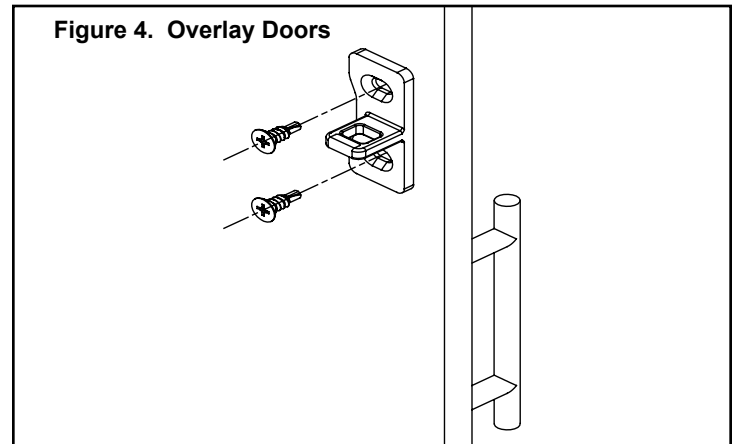
Power Supply

The lock is connected to the activation device. The activation device is connected to the power source, which powers the activation device and lock. The activation device and the power supply are included in the Proximity Kit PN ACPROX-US-Kit1 (optional).

4. Remove one side of the backing from the double-sided tape and apply the tape to the door strike component.
5. With the lock in the closed position, peel the backing off of the double-sided tape on the door strike component.



6. Close the door and firmly apply pressure to ensure the door striker adheres to the door (Figure 3).
7. Disengage the lock from its closed position using the activation device or manual override.
8. Open the door and remove the installation jig. Attach the door striker using the appropriate flat-head mounting screws for your application (Figure 4).



Inset Doors

1. Drill pilot holes into your cabinet according to Figure 5. Be sure to take panel thickness into consideration.
2. Drill pilot holes into the door according to Figure 6.
3. Install the cable to the connector located at the back of the lock assembly. Perform the electrical installation and **make sure the lock assembly locks and unlocks properly before closing the door.**
4. Fasten lock and door strike respectively, using the appropriate mounting hardware for your application. See Figures 6 and 7.

Figure 5. Panel Preparation for Lock

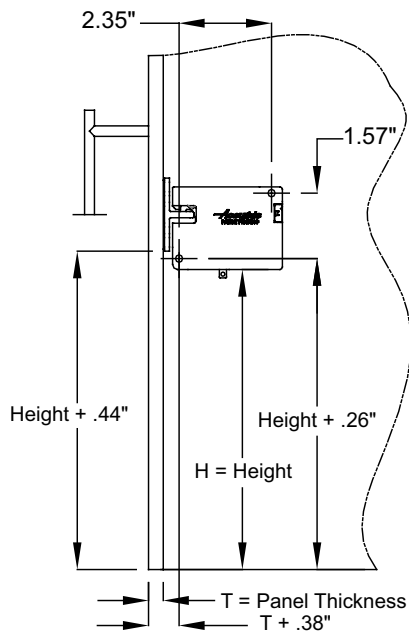


Figure 6. Panel Preparation for Door Strike

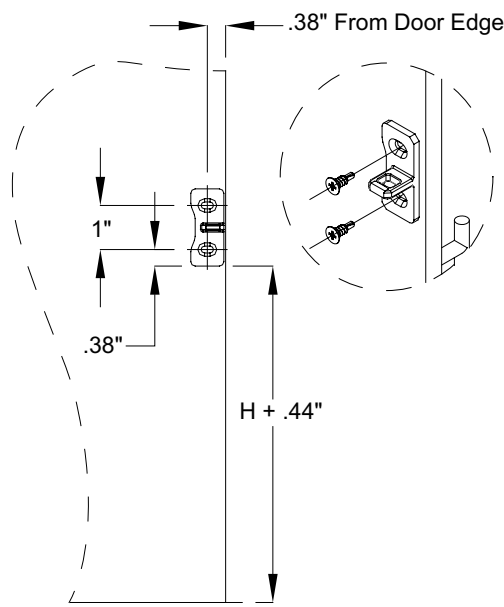
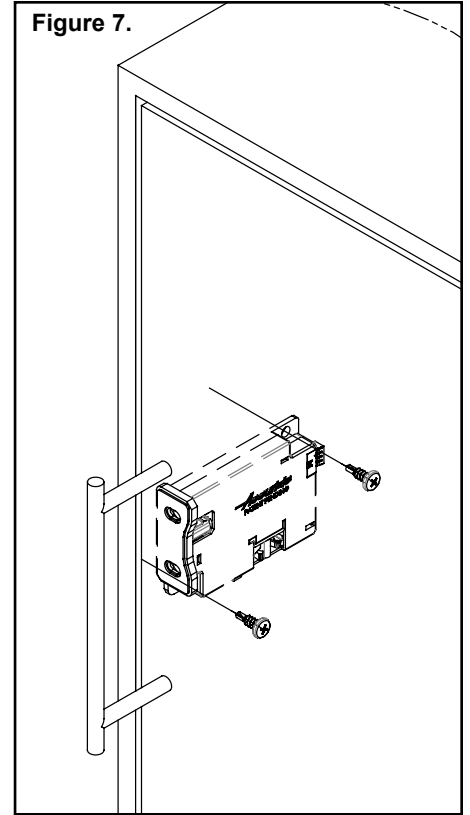
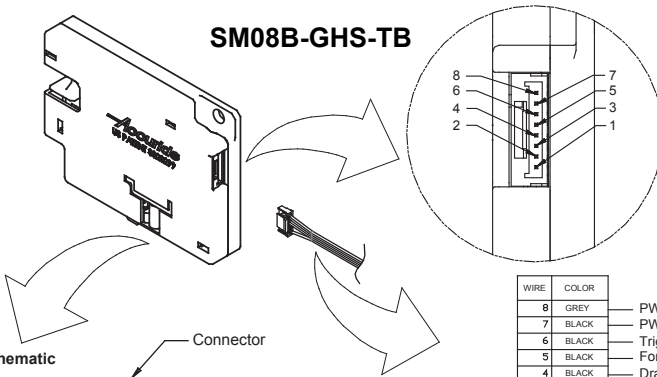


Figure 7.



Technical Data

Power Requirements and Connectors



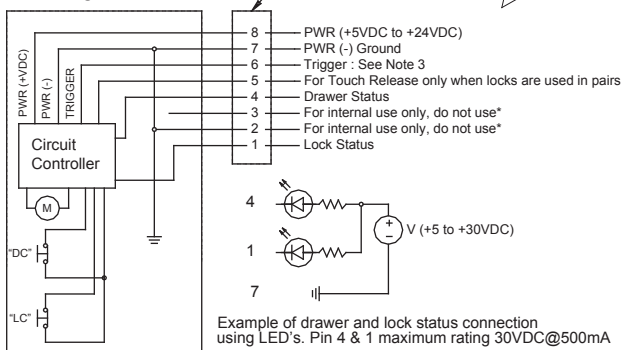
Technical Data

Voltage Supply: +5VDC to +24VDC
 Current Consumption: 50 mA/200 mS@12VDC (Unlocking/Locking)

Micro-Switch Specifications

Mechanical Life: 300,000 cycles
 (Drawer Contact "DC")
 (Lock Contact "LC")

Wiring Schematic



Notes:

- Drawer status output:
 Drawer open: switch = "ground"
 Drawer closed: switch = "open"
- Lock status output:
 Lock is unlocked: = "ground"
 Lock is locked: = "open"
- +5VDC to +24VDC at Pin 6 will unlock the Electronic Lock. The Electronic Lock will remain unlocked until +VDC is removed.
- (*) 2 & 3 are used for Accuride Access Control, do not use.

D pack: Each individual electronic lock is packaged in a box which includes an installation jig, double sided tape.

Bulk pack (P): Full box quantities, includes 10 electronic locks.

Optional Kits

Proximity Kit: One proximity kit per each Senseon System. Part number ACPROX-US-Kit1.

The kit includes:

- 1 Cards
- 1 Program Guide
- 1 Reader Holder
- 1 DC Power Cable
- 1 Reader Splitter Cable
- 1 AC Cord
- 2 Power Supply Holders
- 12 Cable Clips

Hub Kit: One Hub kit per cabinet opening (drawer or door). Modular wiring kit part number ACHUBX-KIT1.

The kit includes:

- 1 Hub Assembly
- 2 Hub to Lock Cable
- 4 Cable Clips
- 6" Double Stick Tape

Linking Cables: To connect multiple banks of lock openings.

- Top Linking ACLINK-TOP-KIT1
- Bottom Linking ACLINK-BTM-KIT1

Extension Cables: Available in 4 lengths

- 6" SECBLX-6-KIT1
- 12" SECBLX-12-KIT1
- 24" SECBLX-24-KIT1
- 120" ABLEL-120

Specifications

Lock: Zinc and black polymer.

All components are RoHS compliant.

NOTE: Specifications, materials, prices, terms, and delivery are subject to change without notice.

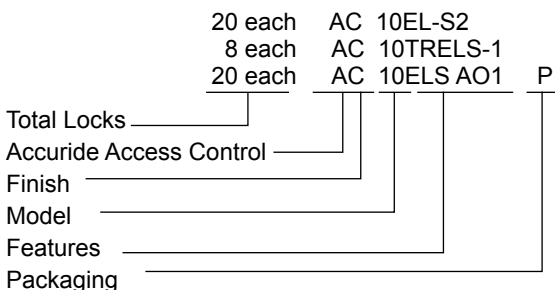
Ordering Instructions

- A10EL-1 (Open Manually)
- AC 10EL AO1 (Auto-Open-option)
- AC 10TREL-1 (Electronic Touch Release)
- AC10EL-2 (for Soft Close products)

Subversion Protection Models

- S models include subversion protection
- A10ELS
- A10ELSAO
- A10ELS-2

Complete your lock order by specifying the following:



Note: S=Subversion Intelligent Models

For the most current technical information please visit www.accuride.com

ACCURIDE ® ACCESS CONTROL WARRANTY

Accuride warrants its access control products will conform at the time of delivery to specifications expressly agreed to in writing by Buyer and Accuride. Accuride warrants its access control products will be free from defects and workmanship during the warranty period. Shipping costs incurred in returning such nonconforming products shall be borne by Accuride. Accuride agrees to replace nonconforming products covered under this warranty for a period of one (1) year from the date of delivery to Buyer. This warranty does not cover products which have been damaged due to misuse, improper installation, or unauthorized repair or alteration. This warranty is for replacement of the defective product only and does not include the cost of removal, installation, or other incidental charges. At its option, Accuride may credit Buyer for an amount not to exceed the original price paid for such products.

There are no express warranties by Accuride other than stated herein. No warranties by Accuride (other than title) shall be implied or otherwise created under any applicable law, including but not limited to a warranty of merchantability and warranty of fitness for a particular purpose.

LIMITATION OF LIABILITY

To the extent permitted by law, Accuride shall not be responsible for, and Buyer hereby assumes the risk of, and hereby releases Accuride for any damages or injuries whatsoever (including, without limitation, incidental or consequential damages, damages for lost profits or business interruption, and punitive damages) caused by or related to any use of Accuride products, regardless of any error, omission, interruption, defect, failure of performance, delay in operation or transmission, even if Accuride has previously been advised of such damages. Notwithstanding the foregoing, Accuride's total liability to Buyer for all losses, damages and causes of action, whether in contract, equity or tort, including negligence and gross negligence, shall not exceed the amount equal to the aggregate price paid for product purchased by Buyer.

These terms are governed by the laws of the State of California. For any claims arising between Buyer and Accuride, the parties agree to submit to the exclusive jurisdiction of the Superior Court of Los Angeles County, California.

Accuride Int.
Att: Accuride Access Control
Accuride/AF Romero
Calexico, Ca. 92231



ACCURIDE INTERNATIONAL INC.
 12311 Shoemaker Avenue
 Santa Fe Springs, CA 90670
 TEL (562) 903-0200
 FAX (562) 903-0208
www.accuride.com

Manufacturing, Engineering, and Sales
 United States • Germany • Japan • Mexico • United Kingdom • China

Copyright © 2016 Accuride International Inc. A10EL-N-0117