

Accuride®

MODEL A38EL/A38ELAO A38ELS/A38ELSAO

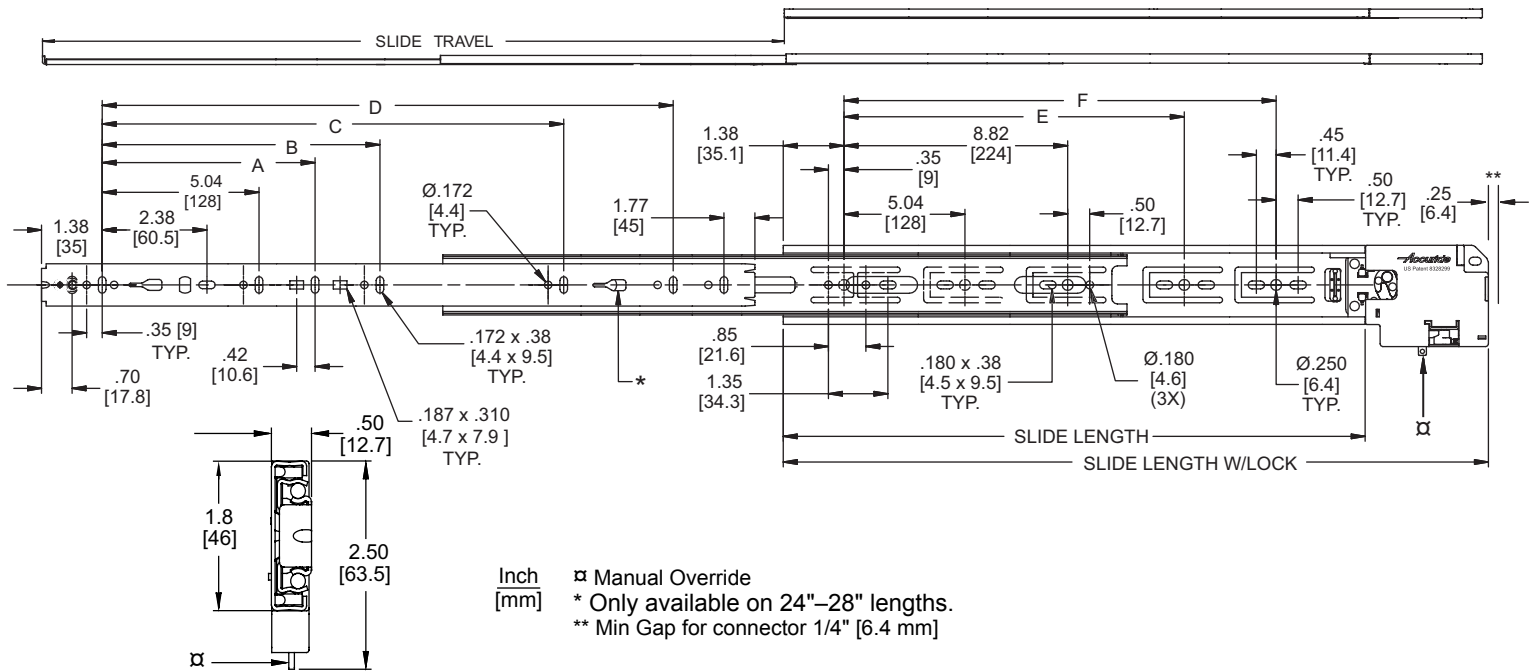
Integrated Electronic Locking Slide
100-lb. load rating
Available standard lock/unlock and Auto-Open
Both available with subversion protection feature.



APPLICATIONS: Provides an easy-to-install method to secure and control access to drawers. **This product is covered by U.S. (8,328,299), and various patents pending.**

A38EL/A38ELAO A38ELS/A38ELSAO QUICK REFERENCE

Side Space: (1/2"+1/32) X 2
Lengths: 12"–28"
Height: 1.80"
Load: 100-lb.*



Finish: Clear electroplate(C)

Lengths: 12"–28" [300 mm–700 mm]
Note: cabinet depth must include an additional 3" to allow room for the locking mechanism and wiring at the back of the slide.

Load Rating: Up to 100 lbs. [45.5 kg] per pair*

Travel: Full extension

Disconnect: Handed lever disconnect

Height: 1.80" [45.7mm]

Height w/Lock: 2.50" [63.5mm]

Side Space: 0.50 +0.031/-0.0 [12.7mm +0.8/0.0] or 1/2 + 1/32

Mounting Hardware: #8 pan head screw

Features: Electronic locking mechanism with manual override. Lock withstands up to 250 pounds of force.

Options: Lock/Unlock (opened manually)
Auto-Open (propelled open about 2" when unlocked)
Auto-Open action works best with auto-lock feature, which is controlled through Accuride Access Control Models S=Subversion Protection Feature

Part Number	Slide Length	Length w/Lock	Travel	A	B	C	D	E	F
A38EL-XX12	11.81 [300]	14.61 [371]	12.00 [305]						
A38EL-XX14	13.78 [350]	16.58 [421]	14.00 [356]						
A38EL-XX16	15.75 [400]	18.55 [471]	16.00 [406]						12.60 [320]
A38EL-XX18	17.72 [450]	20.51 [521]	18.00 [457]			12.60 [320]			13.86 [352]
A38EL-XX20	19.68 [500]	22.48 [571]	20.00 [508]			12.60 [320]			16.38 [416]
A38EL-XX22	21.65 [550]	24.45 [621]	22.00 [559]			12.60 [320]	16.38 [416]	13.86 [352]	17.64 [448]
A38EL-XX24	23.62 [600]	26.42 [671]	24.00 [610]	8.82 [224]		16.38 [416]		13.86 [352]	18.90 [480]
A38EL-XX26	25.59 [650]	28.39 [721]	26.00 [660]	8.82 [224]		16.38 [416]	21.42 [544]	13.86 [352]	21.42 [544]
A38EL-XX28	27.56 [700]	30.36 [771]	28.00 [711]	8.82 [224]	11.34 [288]	16.38 [416]	21.42 [544]	13.86 [352]	21.42 [544]

Models S = Subversion Protection Feature

100% Guaranty the secure status output from Pin 1 only occurs when the catch is in the locked position and the lock is secure.

* Load rating based on 18" slides mounted in a 24" wide drawer cycled 50,000 times.



WARNING! Before installing the drawer, insure you have access to the lock's manual override lever or the activation device must be connected and working properly. **Otherwise, you will not be able to unlock the slide and open the drawer.**

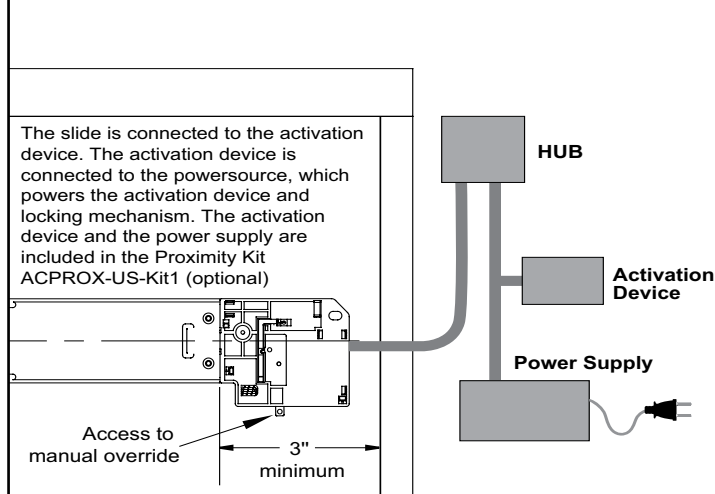
IMPORTANT:

- Be sure the interior cabinet depth allows for an additional 3" beyond the length of the slide to provide room for the locking mechanism and wiring (Figure 1). See the chart below for minimum cabinet depth. For inset drawers, be sure to provide sufficient cabinet depth to allow slide setback.

Slide Length	Min. Cabinet Depth
16"	19"
18"	21"
20"	23"
22"	25"

- Slides will not function properly if side space is less than .50" [12.7 mm]. For optimum performance, construct drawer 1-1/16" [27.0 mm] smaller than the opening of the cabinet.

Figure 1. A38EL Components and Interior Cabinet Depth



Slide Installation

Install Cabinet Member

1. Separate the slide members by first actuating the manual override located on the locking mechanism.
2. Then, lift the disconnect lever to release the inner (drawer) member.
3. Overlay drawer front:
 - Conventional mounting, see Figure 2.
 - 32 mm system mounting, see Figure 3.

Figure 2. Conventional mounting - Cabinet

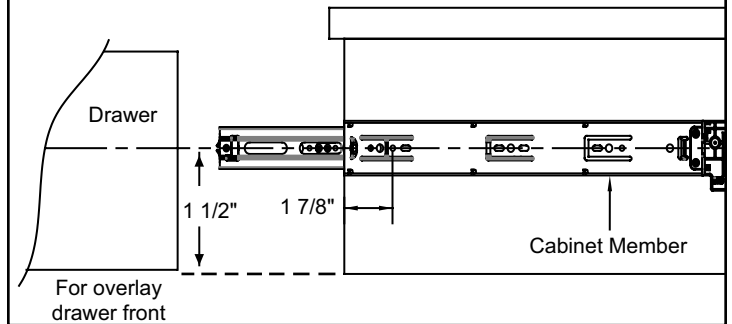
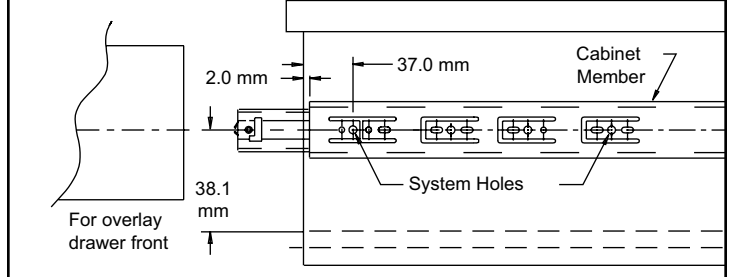


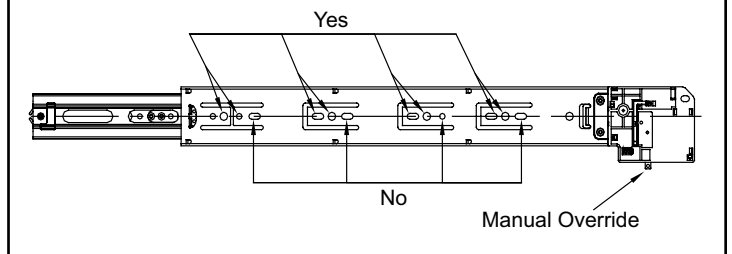
Figure 3. 32 mm system mounting - Cabinet



4. Inset drawer front: Slide setback is the thickness of the drawer front plus 1/8" [3.2 mm].
5. Use only the 32 mm system holes or the wood screw holes located at the tip of the breathing tabs. Do not use any other holes on the cabinet member for mounting (Figure 4).

Figure 4. Cabinet Member Fastener Locations

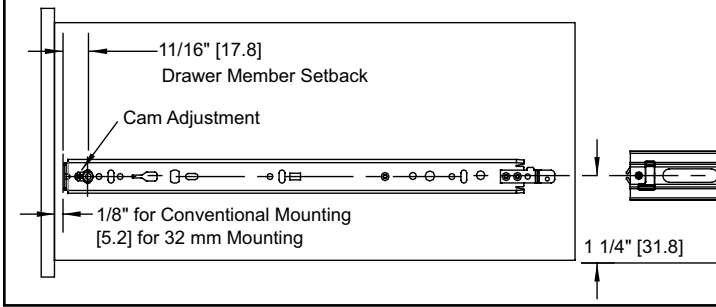
Use all mounting tabs to achieve load rating.



Install Drawer Member

1. See Figure 5 for drawer member setback.
2. Install the drawer member with a screw through the cam adjuster and a screw through a hole or slot at the rear (see Figure 5).

Figure 5. Conventional Mounting and 32 mm Mounting - Drawer



Drawer Insertion and Adjustment

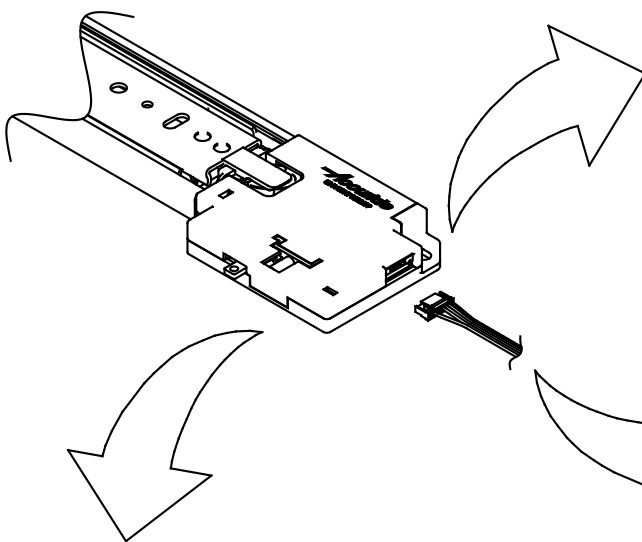


WARNING! Before installing the drawer, you must have access to the lock's manual override lever or the activation device must be connected and working properly. Otherwise, you will not be able to unlock the slide and open the drawer.

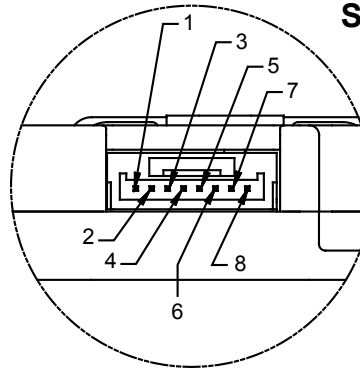
1. Make sure the ball bearing retainers in the cabinet are fully forward. Install drawer into cabinet and close the drawer.
2. Install additional screws to secure.

Technical Data

Power Requirements and Connectors



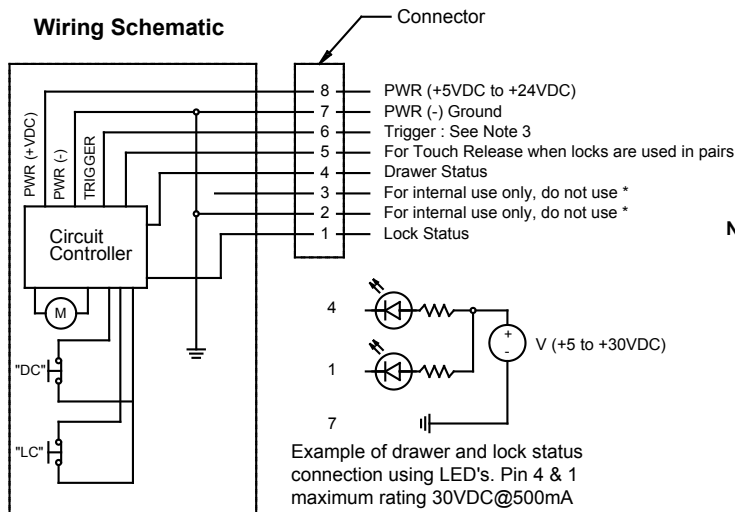
SM08B-GHS-TB



WIRE	COLOR
8	GREY
7	BLACK
6	BLACK
5	BLACK
4	BLACK
3	BLACK
2	BLACK
1	BLACK

- PWR (+5VDC to +24VDC)
- PWR (-) Ground
- Trigger : See Note 3
- For Touch Release only when locks are used in pairs
- Drawer Status
- For internal use only, do not use *
- For external use only, do not use *
- Lock Status

Wiring Schematic



Technical Data

Voltage Supply: +5VDC to +24VDC

Current Consumption: 50 mA/200 mS@12VCD (Unlocking/Locking)

Micro-Switch Specifications

Mechanical Life: 300,000 cycles (Drawer Contact "DC") (Lock Contact "LC")

Notes:

1. Drawer status output:
Drawer open: = "ground"
Drawer closed: = "open"
2. Lock status output:
Lock is unlocked: = "ground"
Lock is locked: = "open"
3. +5VDC to +24VDC at pin 6 will unlock the Electronic Lock. The Electronic Lock will remain unlocked until +VDC is removed.
4. (*) Pin 2 & 3 are used for Accuride Access Control, do not use.

D Pack: A pair of slides is package in a box, which includes one locking and one non-locking electronic locks.

Bulk Pack (P): Full box quantity, package in a larger box with 4 individual boxes with a pair of A38EL e-locks each.

Optional Kits

Proximity Kit: One proximity kit per each Senseon system. Part number ACPROX-US-Kit1.

The kit includes:

- 1 Cards
- 1 Programming Guide
- 1 Reader Holder
- 1 DC Power Cable
- 1 Reader Splitter Cable
- 1 AC Cord
- 2 Power Supply Holders
- 12 Cable Clips

Hub Kit: One Hub Kit per cabinet opening (drawer and door). Modular wiring kit part number ACHUBX-Kit1.

The kit includes:

- 1 Hub Assembly
- 2 Hub to Lock Cable
- 4 Cable Clips
- 6" Double Stick Tape

Linking Cables: To connect multiple banks of lock openings.

- Top Linking ACLINK-TOP-KIT1
- Bottom Linking ACLINK-BTM-KIT1

Extension Cables: Available in 4 lengths

- 6" ACCBLX-6-KIT1
- 12" ACCBLX-12-KIT1
- 24" ACCBLX-24-KIT1
- 120" ABLEL-120

Specifications

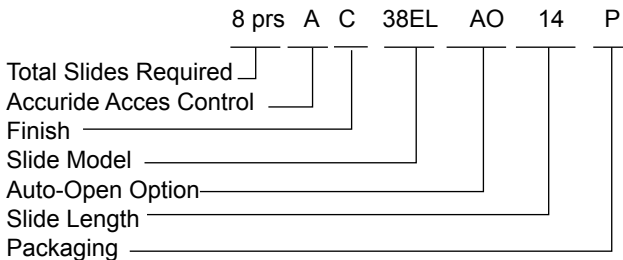
Slide members and ball retainers: Cold rolled steel
 Ball bearings: Carburized steel/acetal polymer
 Lock: Zinc and black polymer
 RoHS compliant

NOTE: Specifications, materials, prices, terms, and delivery are subject to change without notice.

Slide Ordering Instructions

A38EL AO XXP (Auto-Open-option)
 A38EL XXP (Lock/Unlock)
 A38ELS
 A38ELSAO

Complete your slide order for A38EL by specifying the following:



Note: To complete your order refer to required kit part numbers.
 S Models = Include Subversion Protection Feature

For the most current technical information please visit www.accuride.com

ACCURIDE ® ACCESS CONTROL WARRANTY

Accuride warrants its access control products will conform at the time of delivery to specifications expressly agreed to in writing by Buyer and Accuride. Accuride warrants its access control products will be free from defects and workmanship during the warranty period. Shipping costs incurred in returning such nonconforming products shall be borne by Accuride. Accuride agrees to replace nonconforming products covered under this warranty for a period of one (1) year from the date of delivery to Buyer. This warranty does not cover products which have been damaged due to misuse, improper installation, or unauthorized repair or alteration. This warranty is for replacement of the defective product only and does not include the cost of removal, installation, or other incidental charges. At its option, Accuride may credit Buyer for an amount not to exceed the original price paid for such products.

There are no express warranties by Accuride other than stated herein. No warranties by Accuride (other than title) shall be implied or otherwise created under any applicable law, including but not limited to a warranty of merchantability and warranty of fitness for a particular purpose.

LIMITATION OF LIABILITY

To the extent permitted by law, Accuride shall not be responsible for, and Buyer hereby assumes the risk of, and hereby releases Accuride for any damages or injuries whatsoever (including, without limitation, incidental or consequential damages, damages for lost profits or business interruption, and punitive damages) caused by or related to any use of Accuride products, regardless of any error, omission, interruption, defect, failure of performance, delay in operation or transmission, even if Accuride has previously been advised of such damages. Notwithstanding the foregoing, Accuride's total liability to Buyer for all losses, damages and causes of action, whether in contract, equity or tort, including negligence and gross negligence, shall not exceed the amount equal to the aggregate price paid for product purchased by Buyer.

These terms are governed by the laws of the State of California. For any claims arising between Buyer and Accuride, the parties agree to submit to the exclusive jurisdiction of the Superior Court of Los Angeles County, California.

Accuride International Inc.
Attn: Accuride Access Control Technical Services
Accuride/AF Romero
Calexico, CA 92231



ACCURIDE INTERNATIONAL INC.

12311 Shoemaker Avenue
 Santa Fe Springs, CA 90670

TEL (562) 903-0200
 FAX (562) 903-0208

www.accuride.com

Manufacturing, Engineering, and Sales
 United States • Germany • Japan • Mexico • United Kingdom • China

Copyright © 2017 Accuride International Inc. A38EL/38ELAO-N-0317