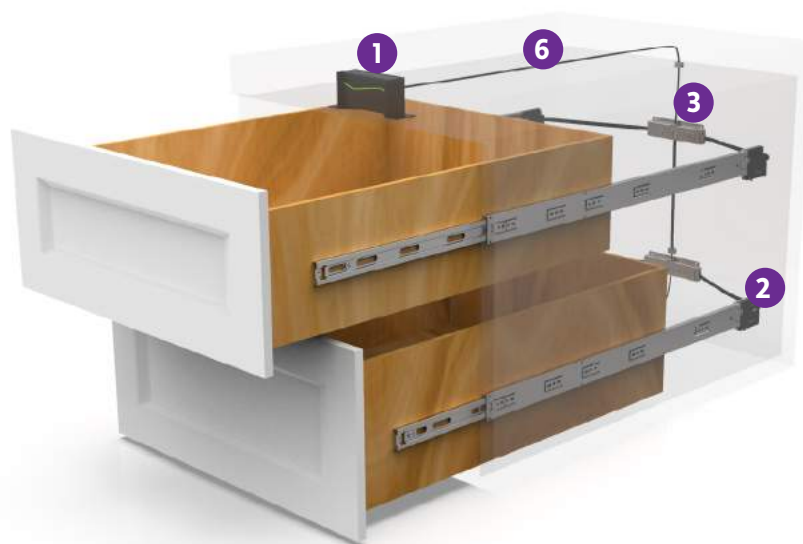


Table of contents

- SECTION A OVERVIEW
- SECTION B READER
- SECTION C HUB
- SECTION D E-LOCKS
- SECTION E POWER SUPPLY
- SECTION F CABLE CONNECTIONS

A Overview



1 Proximity Reader

Senseon One Readers require just a tap of a wristband, tag, fob, or key card to send the unlock signal through the system.

2 Electronic Locks

The E-Locks lock and unlock openings connected to the Senseon One System.

3 Hub

The Hub facilitates two-way communication between the Proximity Reader and the locks while providing power from the power supply.

4 Power Supply - Not Shown -

The Power Supply provides power for the Senseon One System.

5 Power Supply Adapter

The Adapter channels power from the Power Supply to Hubs across the Senseon One System.

6 Extension Cable

The Link Extender provides additional length between Hub cables should one be too short.

B Reader

The Senseon One reader scans a user's keycard and determines whether that user's keycard has permission to access an opening. A designer can mount a reader above or beneath a cabinet surface.

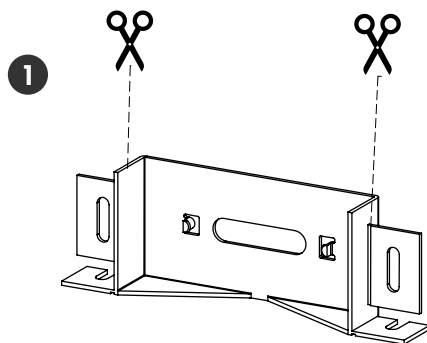
Subsurface Mounting

When subsurface mounting, test the Senseon One reader's effectiveness before installation.

NOTE

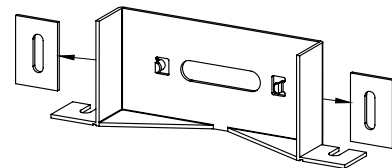
When subsurface mounting, test the Senseon One reader's effectiveness before installation. Certain materials, such as stone and some wood, impact the reader's signal strength. In such cases, one may have to use a surface less than 1 in. thick. Avoid mounting a reader beneath any metal surface as it will block a reader's signal.

VERTICAL ORIENTATION

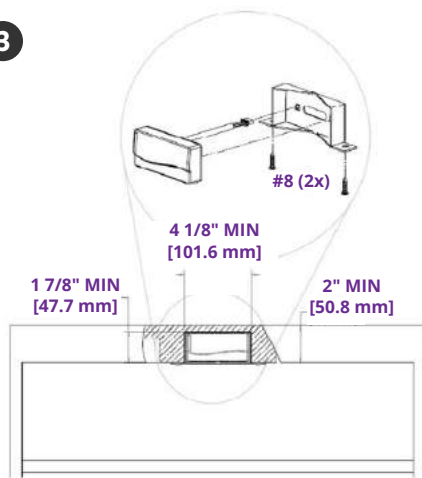


2

Reader Mount in vertical arrangement with detachable tabs marked.

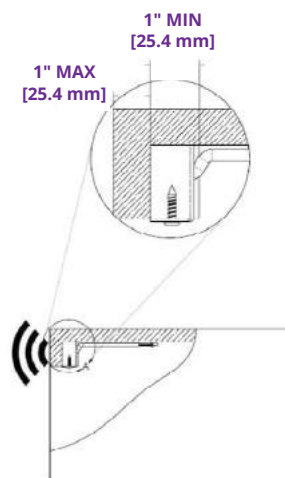


3



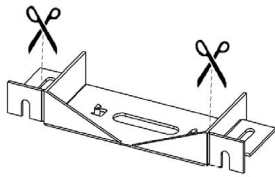
4

Minimum measurements to factor for a **VERTICALLY MOUNTED** Senseon Reader.

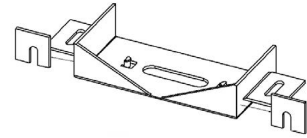


HORIZONTAL ORIENTATION

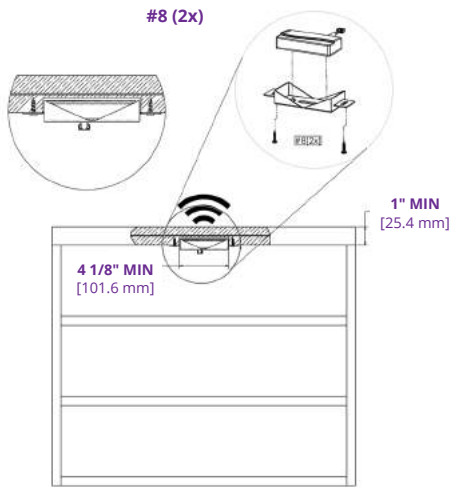
1
Reader Mount
in horizontal
arrangement with
detachable tabs
marked



2
Reader Mount
in horizontal
arrangement with
detachable tabs
marked

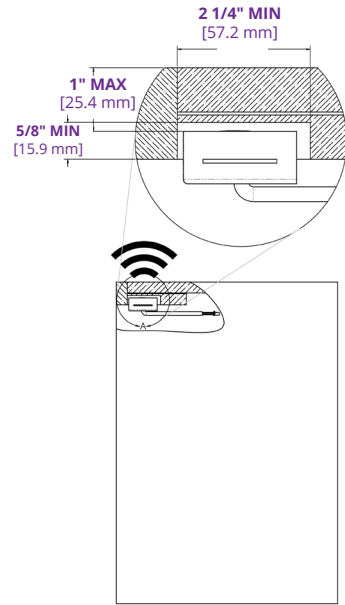


3
Minimum
measurements
(Front View)
to factor for a
**HORIZONTAL
MOUNTED**
Senseon Reader



FRONT VIEW

4
Minimum
measurements
(Side View) to factor
for a **HORIZONTAL
MOUNTED** Senseon
Reader

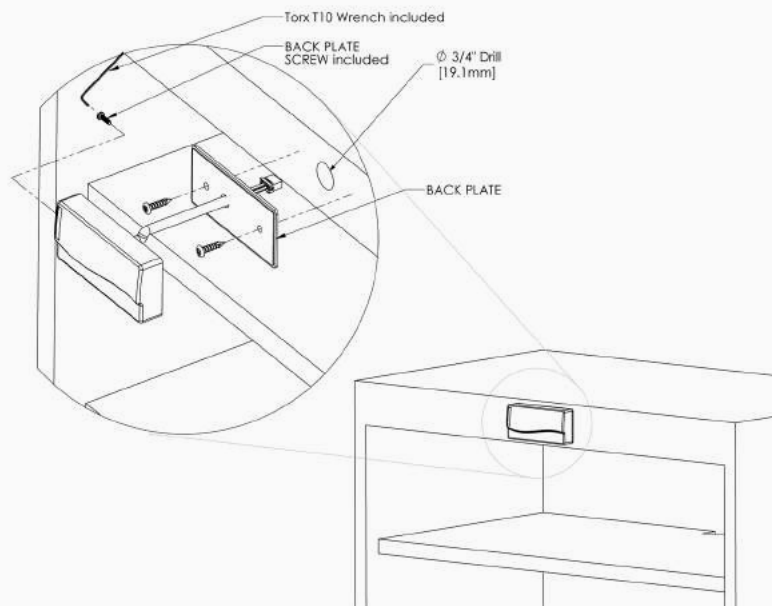


SIDE VIEW

SURFACE MOUNTING

Breakdown of
components and
arrangement for
a surface-mounted
Reader.

For programming a
Reader, refer to the
**Senseon Programming
Guide.**



C Hub

The hub distributes power and unlock signals to the electronic locks. It connects to the reader, power supply, E-Locks, and other hubs. You can mount a hub by screw attachment or adhesive tape (included).

CAUTION

Clean your cabinet surface prior to placing adhesive tape. Using adhesive tape is a one-time installation. Any removal will damage the tape.

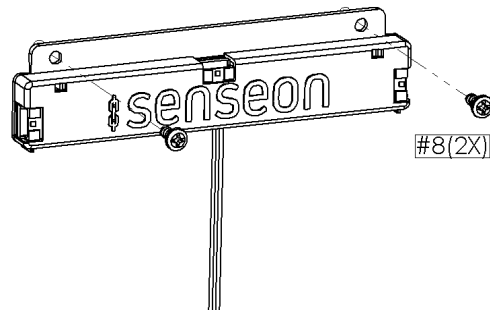
Adhesive Tape Method

(Tape included)

- 1 Clean surface
- 2 Peel and apply adhesive to surface

Screw Attachment Method

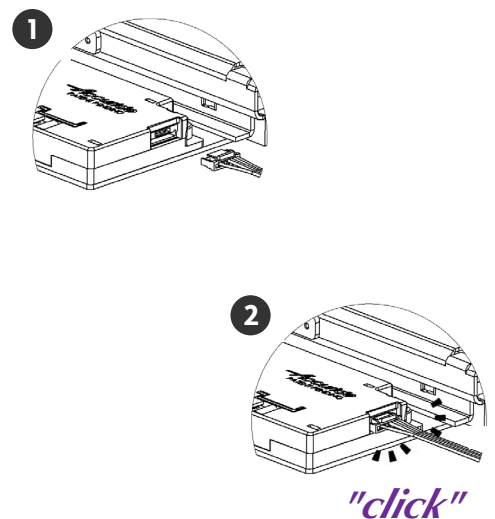
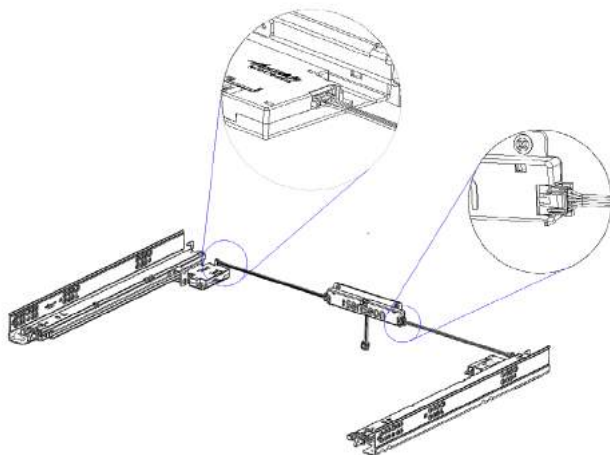
(Screws not included)

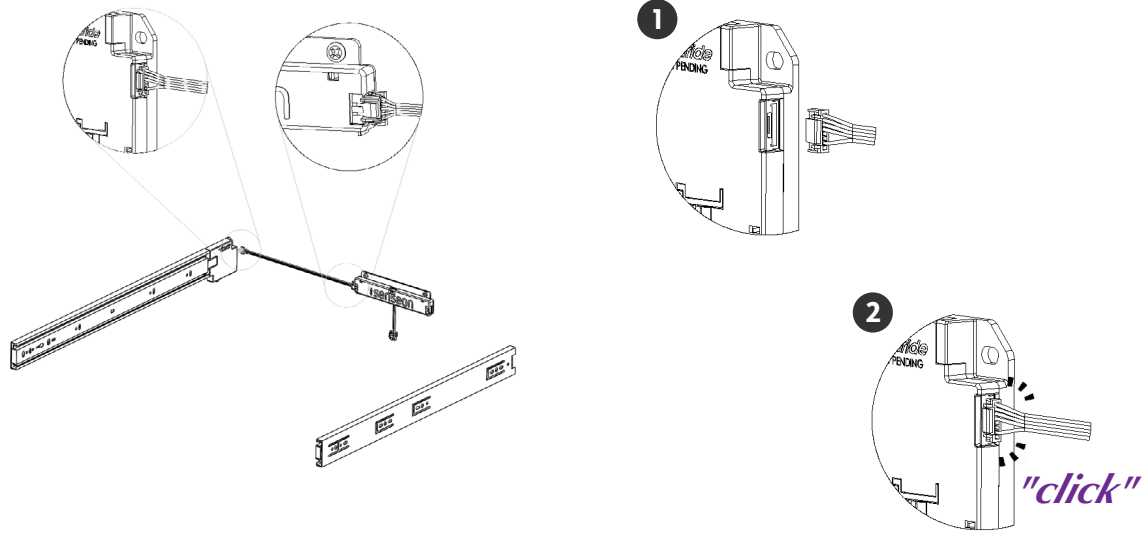


D E-Locks

Senseon One electronic locks secure or unlock openings via an electronic signal from the hub. Senseon One systems use E-locks designed specifically for Senseon One systems. For more information, see your **Senseon E-Lock Technical Sheet**.

3135 TREL | ECEL





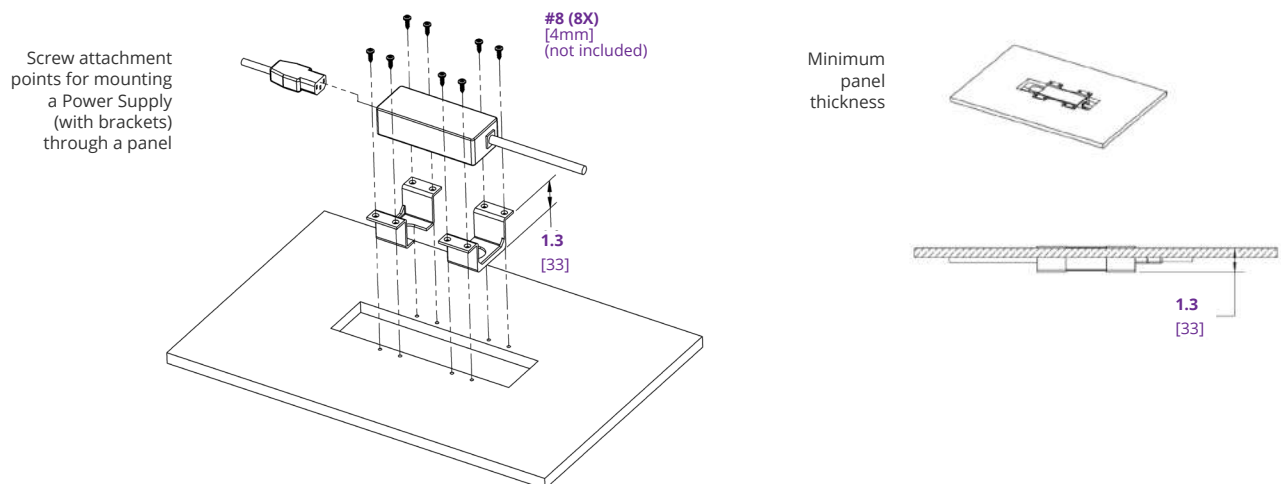
E Power Supply

The power supply provides the electrical power to run the Senseon One System. The power supply connects to a bottom Hub via a power adapter. You can mount a power supply by screw attachment with special brackets.

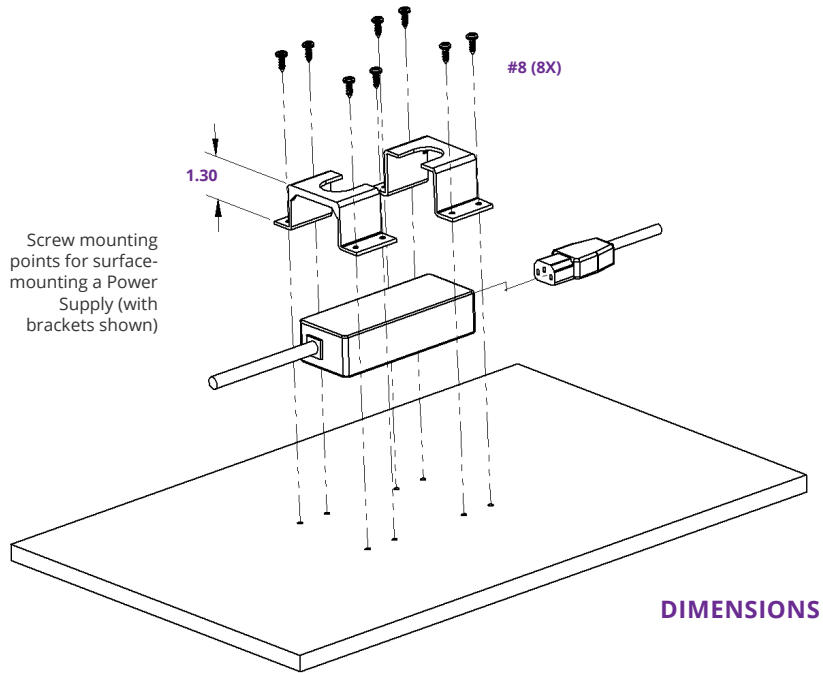
There are two ways to mount the power supply:

- 1 Through Panel Mounting
- 2 Surface Mounting

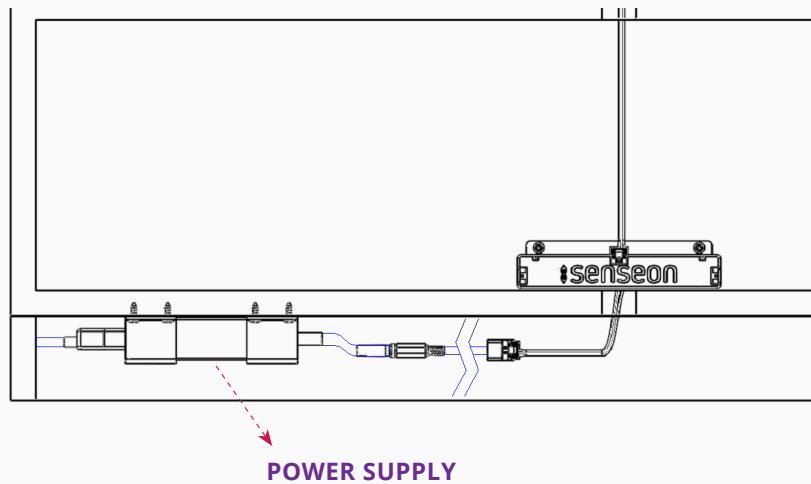
Through Panel Mounting



Surface Mounting



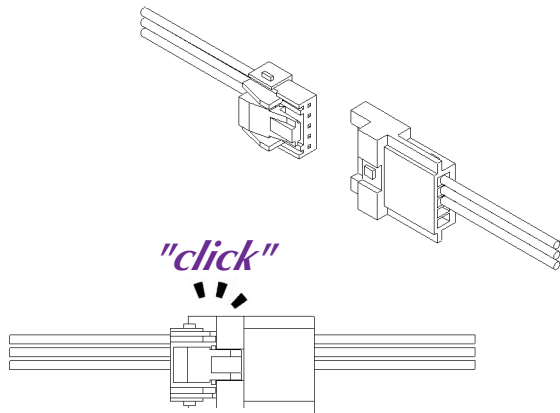
An example of a Power Supply positioned near the Hub



F Cable Connections

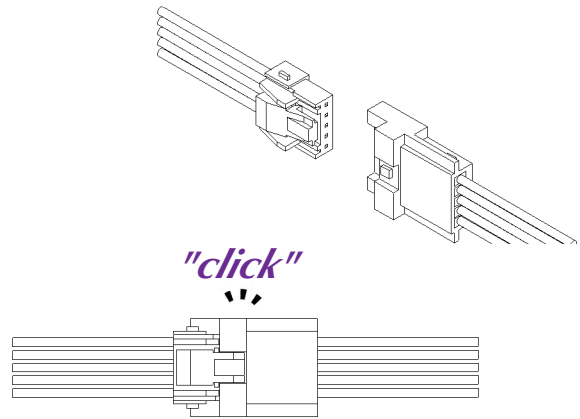
Cable-to-Cable Connections

3-WIRE WITH 3-WIRE



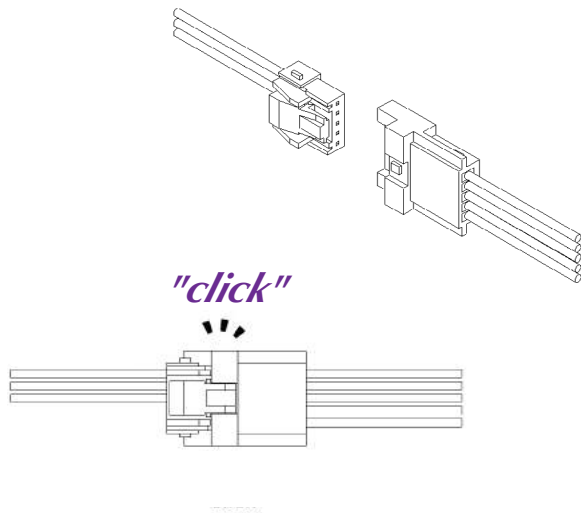
An example of a three-wire to three-wire connection.
A "click" will sound when the wires connect.

5-WIRE WITH 5-WIRE



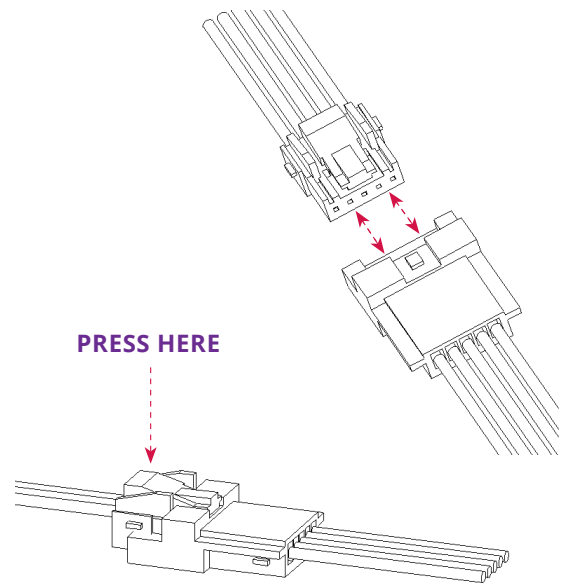
An example of a five-wire to five-wire connection.
A "click" will sound when the two connect.

3-WIRE WITH 5-WIRE



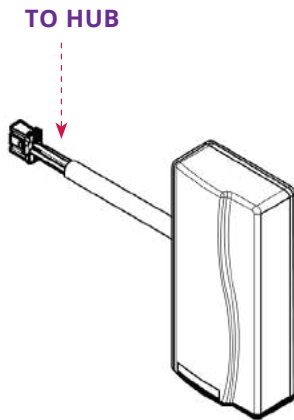
An example of a three-wire to five-wire connection.
A "click" will sound when the two connect.

Cable Disconnect

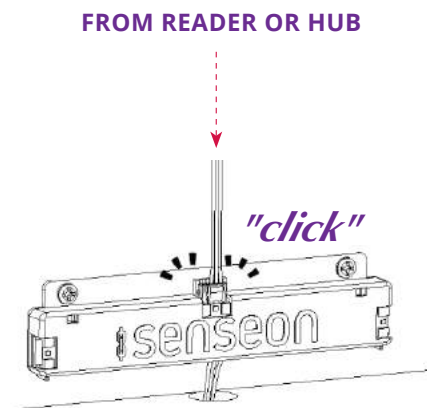


Press a small lever to disconnect cables.

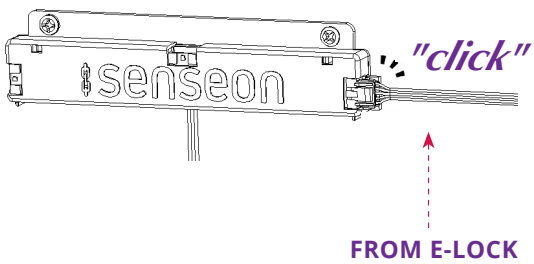
Reader-to-Hub



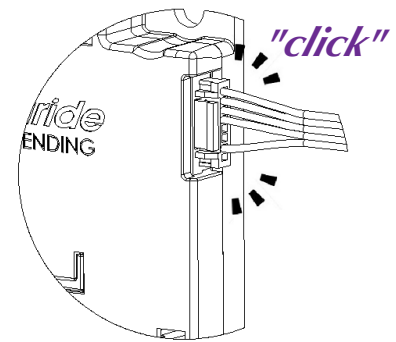
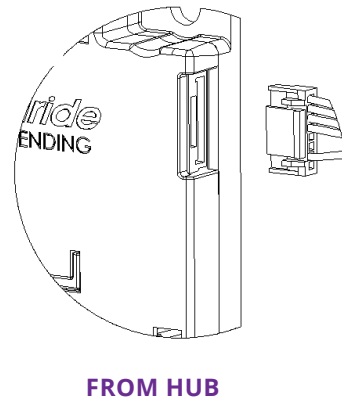
Example of a Reader-to-Hub cable connection.



Lock-to-Hub



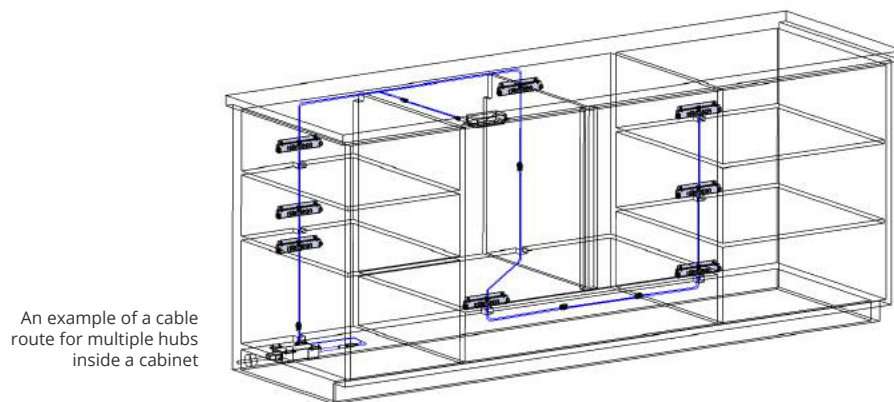
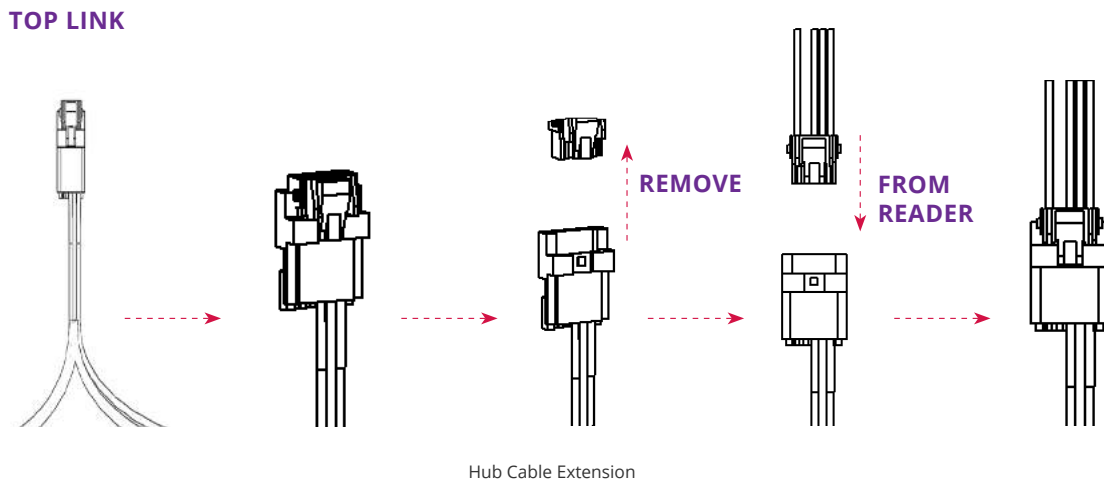
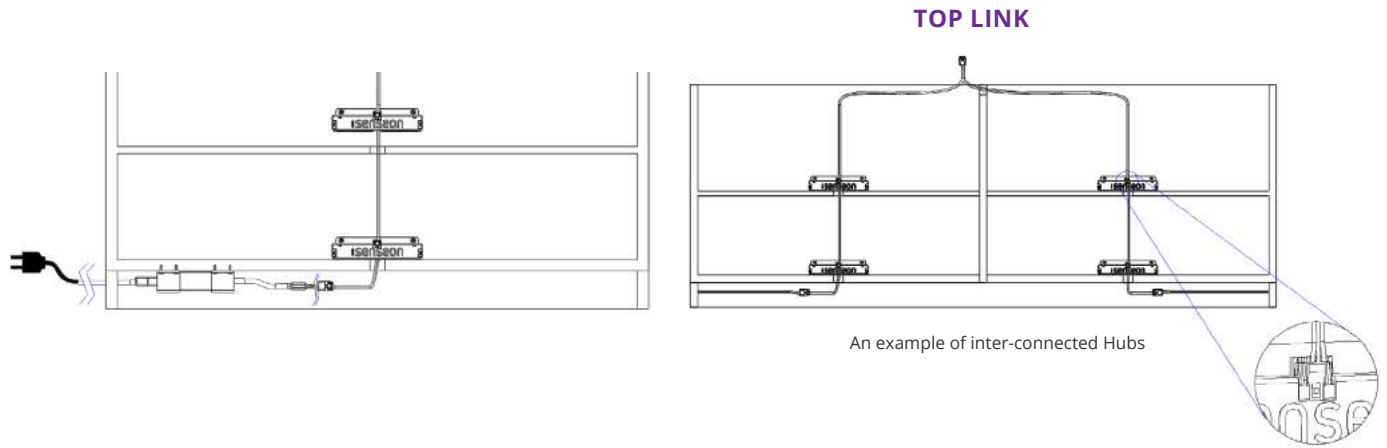
Hub-to-Lock

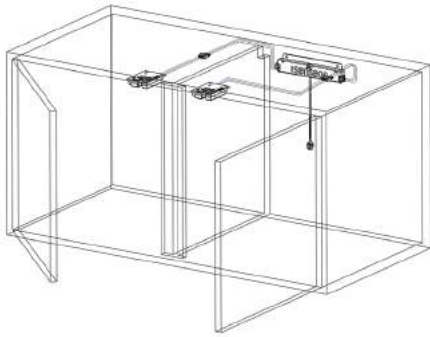


Cable connection point on E-Lock

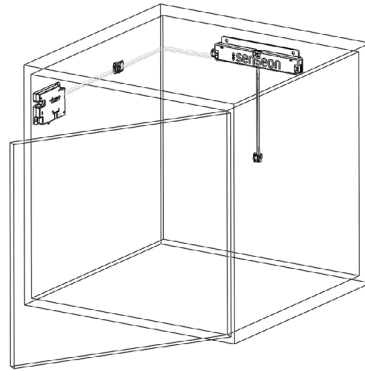
Cable Routing and Connections

Hub Group Connections

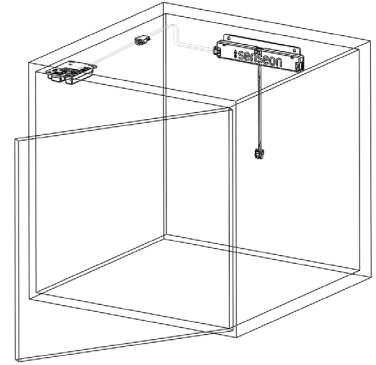




An example of a Senseon 10EL cable routes



Example of a cable route for 10EL



Example of a cable route for 10EL

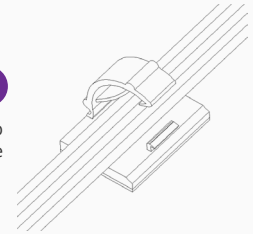
Cable Clip Installation

1

Clean surface

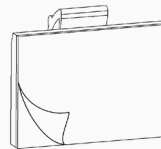
2

Position clip around cable



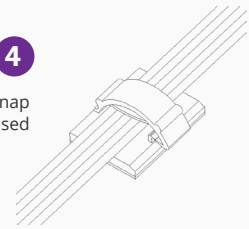
3

Peel clip layer and apply onto surface

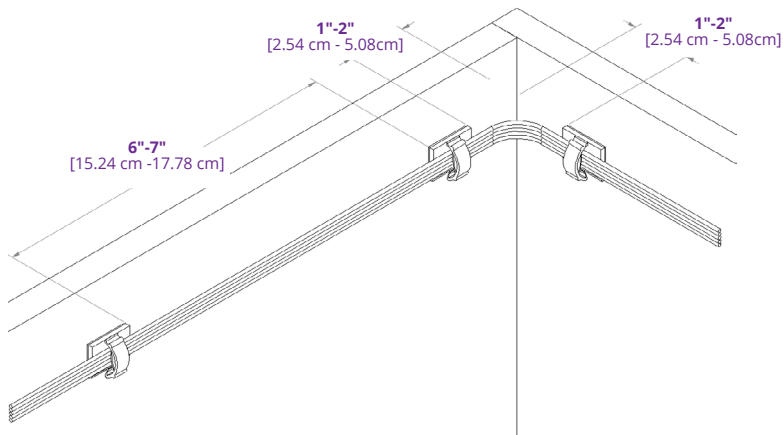


4

Snap clip closed



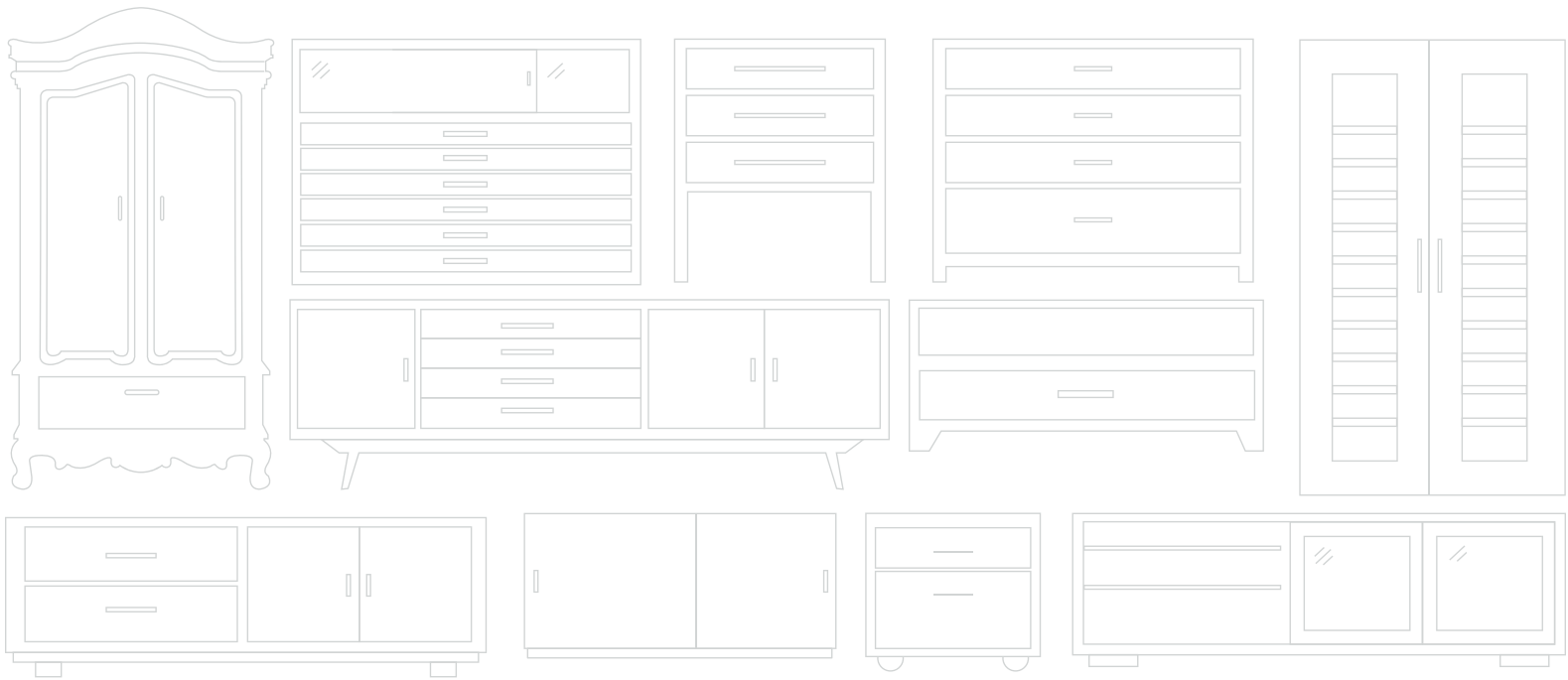
Clip Spacing and Corner Arrangement



NEED TO KNOW MORE?

For design guidelines, see [Senseon Design Guide](#) | For ordering instructions, see [Senseon Ordering Guide](#)

©2020 Accuride International, Inc.



Still have questions?

Please contact Senseon technical support at (800) 688-8242

[senseon.com](https://www.senseon.com)