



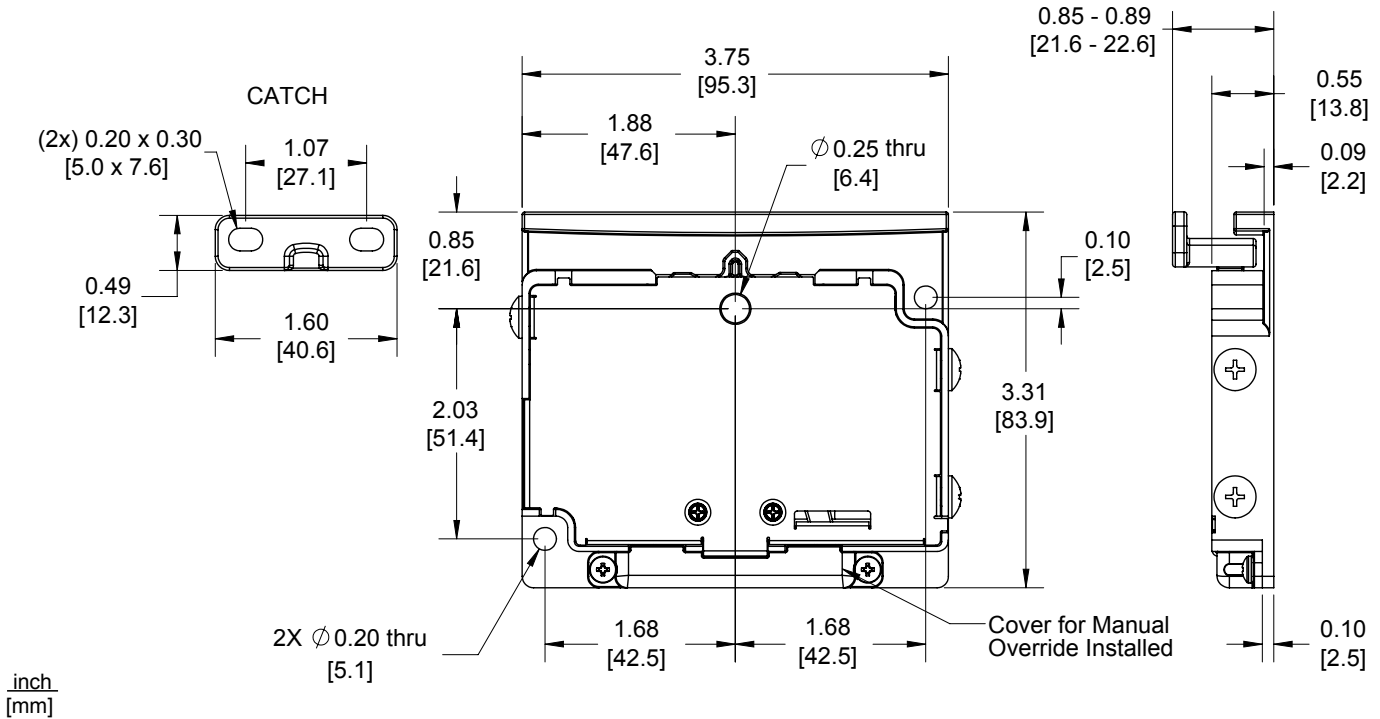
MODEL 2WAY-EL

Electronic Lock
 Withstands up to 800 lbf
 For use with any two-way slide.

APPLICATION: Provides an easy method to secure and control access to openings that require dual access. The 2WAY-EL is designed to work with any two-way travel slide, although 0363 from Accuride is recommended. Slides other than 0363 may require alternate mounting methods.

2WAY-EL QUICK REFERENCE

Height: 3.31" [83.9mm]
 Width: 0.55" [13.8mm]
 Length: 3.75" [95.3mm]
 Lock Force: 800 lbf

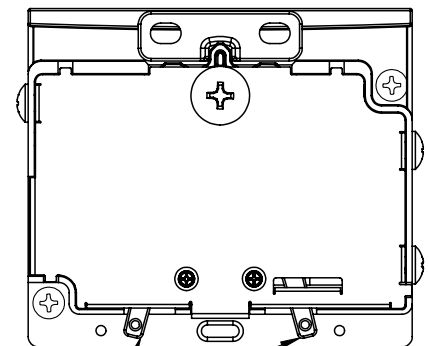


- Finish: Zinc
- Lock Height: 3.31" [83.9 mm]
- Lock Width: .55" [13.8 mm]
- Length: 3.75" [95.3 mm]
- Mounting: Above or below any two-way slide
- Hardware: Lock 1X – ¼" or M6 Truss Head
 (not included) 2X – #10 or M5 Pan Head
 Catch 2X – #10 or M5 Pan Head
- Features: Manual override
 E-lock withstands up to 800 lbf.
 Works with Senseon Secure Access Control
- Lock Voltage Supply: +6VDC to +24 VDC max.



WARNING! Before installing the 2WAY-EL, the installer must have access to the manual release lever or the activation device needs to be connected. **Otherwise you will not be able to unlock and open the drawer.**

LOCKED

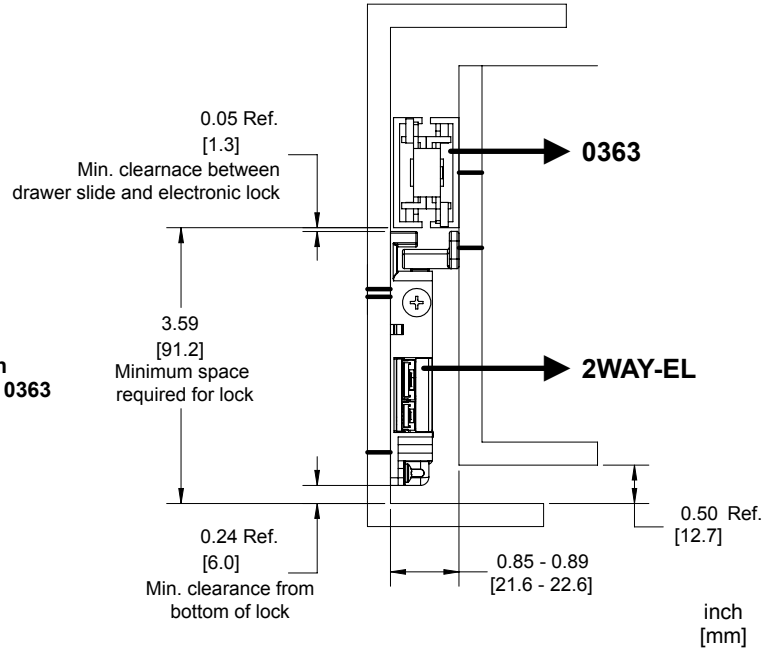


*Lever arm cover removed
 Pull toward center to manually release lock.

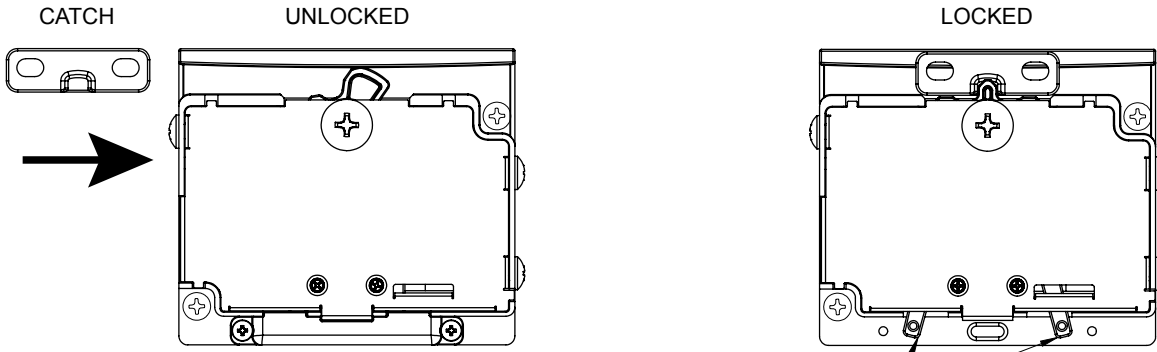
Before installing the 2WAY-EL, the following minimum clearances need to be considered:

1. Distance between drawer slide and 2WAY-EL 0.05" [1.3mm]
2. Distance between the bottom of 2WAY-EL and the bottom of the cabinet 0.24" [6mm]

2WAY-EL shown under Accuride 0363

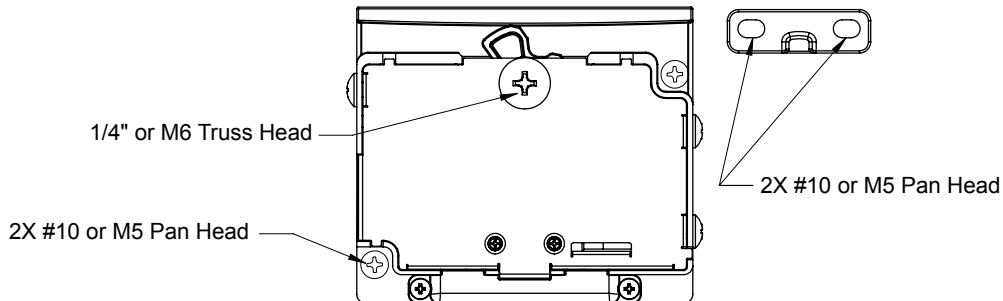


When installing the 2WAY-EL, the position of the catch must be rotated to the unlock position in the direction of the closing travel of the drawer using the manual release, otherwise the catch will not lock properly.



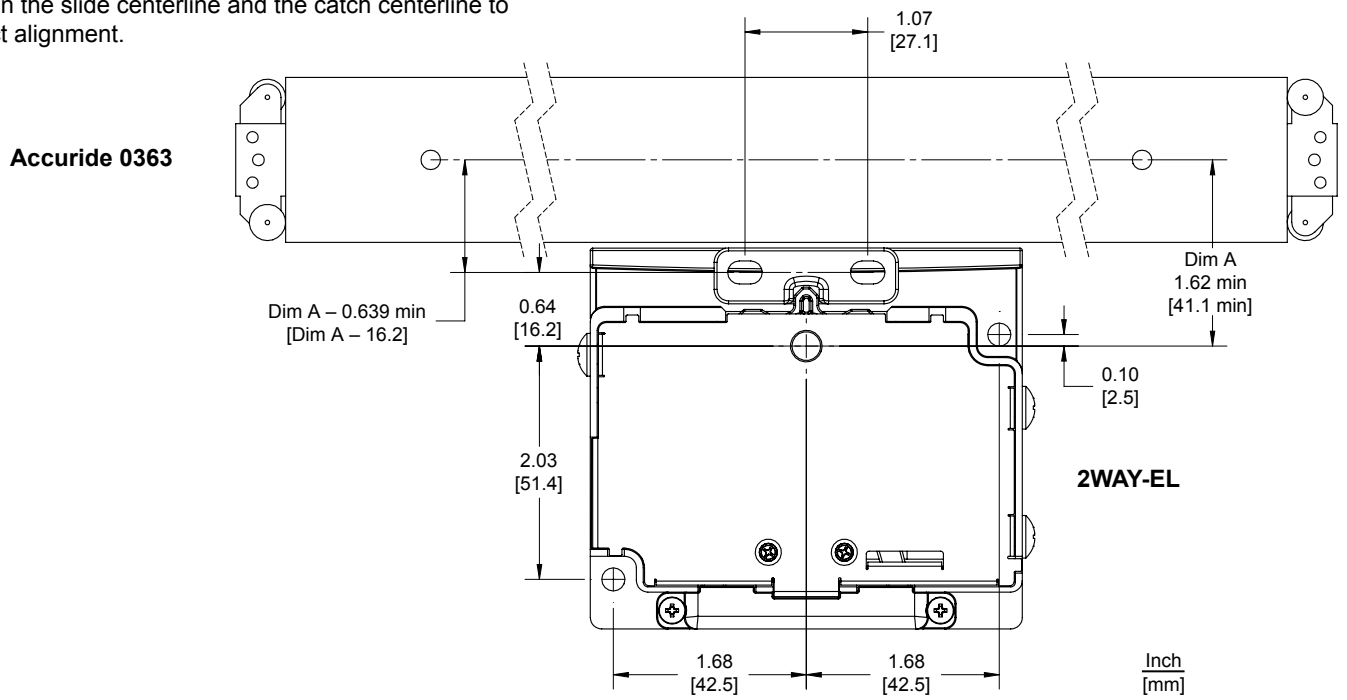
*Manual override cover removed
Pull towards center to manually release lock.

Mounting Hardware (not included)



2WAY-EL Installation Under the Slide (Accuride 0363)

Lock can be placed anywhere along the length of the slide or in the center. The installer must consider the critical dimensions noted below between the slide centerline and the catch centerline to ensure perfect alignment.



D Pack: One 2WAY-EL per box.

Required Kits

Proximity Kit: One proximity kit per each Senseon System.
Part number SEPROX-US-Kit1.

This kit includes:

- 1 RFID Reader
- 1 Power Supply
- 1 Reader Holder
- 1 DC Power Cable
- 1 Reader Splitter Cable
- 1 AC Cord
- 1 Proximity Kit Box
- 2 Power Supply Holders
- 12 Cable Clips

Hub Kit: One Hub kit per cabinet opening (drawer).
Modular wiring kit part number SEHUBX-KIT1.

This kit includes:

- 1 Hub Assembly
- 2 Hub to Lock Cable
- 4 Cable Clips
- 6" Double Stick Tape

Optional Kits

Linking Cables: To connect multiple banks of lock openings.

- Top Linking SELINK-TOP-KIT1
- Bottom Linking SELINK-BTM-KIT1

Extension Cables: Available in 3 lengths

- 6" SECBLX-6-KIT1
- 12" SECBLX-12-KIT1
- 24" SECBLX-24-KIT1

Note: See installation and ordering guides.

Click here for [Installation Guide](#)

Click here for [Ordering Guide](#)

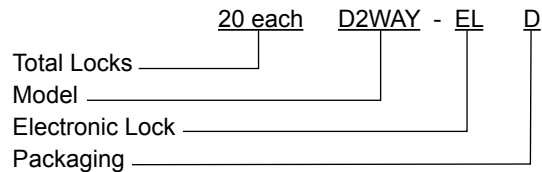
Specifications

Lock: Zinc and black polymer.

All components are RoHS compliant.

NOTE: Specifications, materials, prices, terms, and delivery are subject to change without notice.

Complete your lock order by specifying the following:



Note: To complete your order include the proximity and the hub kit.

Warranty

For warranty information visit
<http://www.senseonsecure.com/warranty>



Accuride International Inc.

12311 Shoemaker Avenue Manufacturing, Engineering, and Sales
Santa Fe Springs, CA 90670 United States • Germany • Japan •
TEL (562) 903-0200 Mexico • United Kingdom • China
FAX (562) 903-0208

For the most current technical information visit www.accuride.com

⚠ WARNING: This product can expose you to chemicals including nickel, which is known to the State of California to cause cancer and birth defects or other reproductive harm. For more information go to www.P65Warnings.ca.gov.