

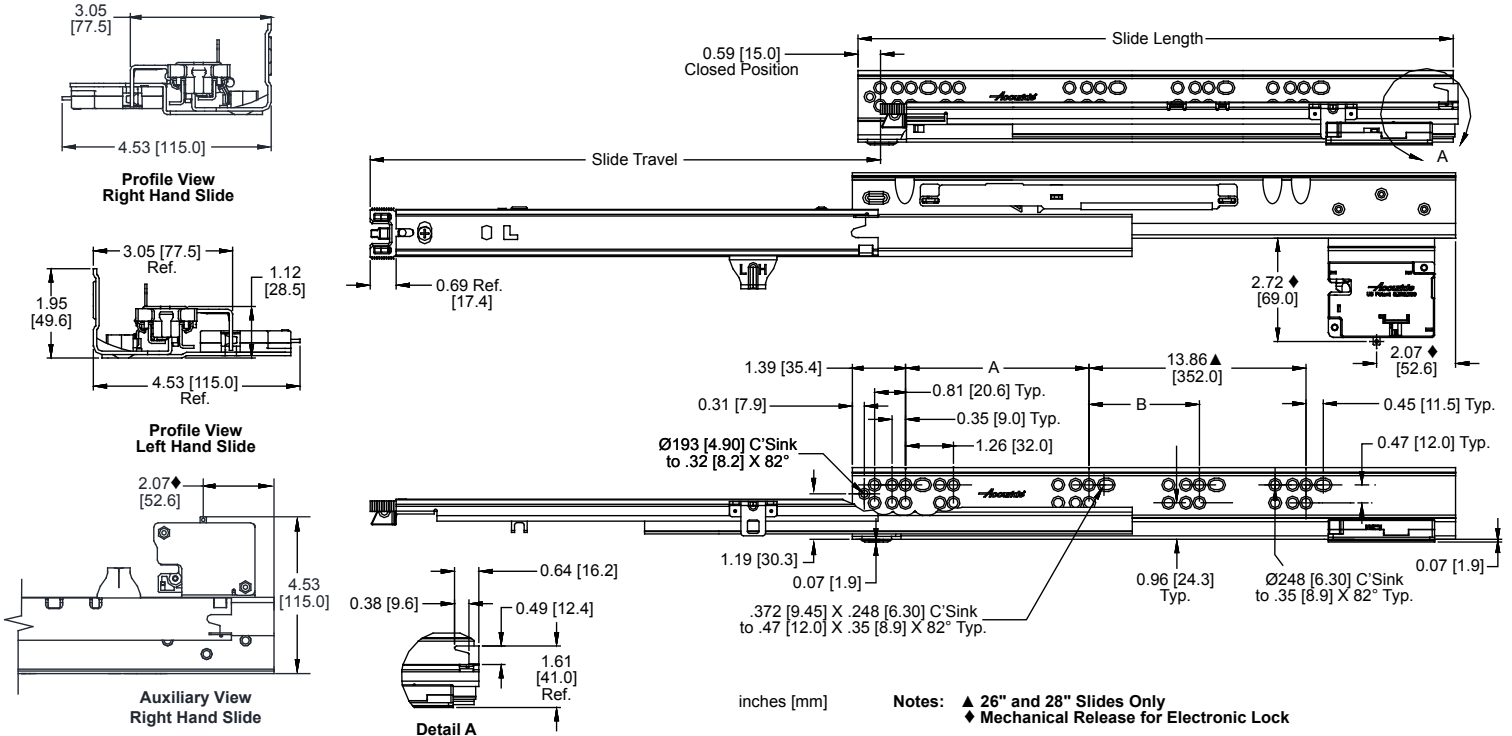
Model B3135ECEL

Eclipse Undermount with Accuride Electronic Lock and Easy-Close.
Vertical, horizontal, and front-to-back drawer front adjustment.
Optional Bottom Bracket

APPLICATIONS: For use in commercial and high end residential applications in drawers and shelves up to 30" wide. **This product is covered by U.S. (8,328,299) and various patents pending.**

B3135ECEL
A QUICK REFERENCE

Mounting: Undermount (Side)
Lengths: Even lengths 12"-28"
15" and 21"
Slide Load Rating: 100 lbs.*
Lock Force: 250 lbf.
Senseon Electronic Lock with Easy-Close



Lengths Even lengths 12"-28" [305 mm-711 mm], 15" [381mm] and 21" [533mm]

Height 1.12 [28.5]-Under drawer
1.95 [49.6]-Overall

Travel Full extension

Slide Finish Bright electro-zinc

Load Rating 100 lbs.* [45.5 kg]

Mounting Undermount (Side), Optional bottom brackets available.

Features Compatible with 1/2" [12.7 mm] to 5/8" [15.9 mm] drawer box thickness, 1/8" [3.2 mm] range of horizontal, vertical, front to back drawer front adjustment.

Part number	Slide Length	Slide Travel	A	B	Drawer Depths	Cabinet Depths
B3135-12ECEL	12.00 [304.8]	11.50 [292.1]	5.04 [128.0]	3.78 [96.0]	12.00 [304.8]	12.63 [320.8] to 14.63 [371.6]
B3135-14ECEL	14.00 [355.6]	13.50 [349.9]	5.04 [128.0]	3.78 [96.0]	14.00 [355.6]	14.63 [371.6] to 16.63 [422.4]
B3135-15ECEL	15.00 [381.0]	14.50 [368.3]	5.04 [128.0]	3.78 [96.0]	15.00 [381.0]	15.63 [397.0] to 17.63 [447.8]
B3135-16ECEL	16.00 [406.4]	15.50 [393.7]	5.04 [128.0]	7.56 [192.0]	16.00 [406.4]	16.63 [422.4] to 18.63 [473.2]
B3135-18ECEL	18.00 [457.2]	17.50 [444.5]	5.04 [128.0]	7.56 [192.0]	18.00 [457.2]	18.63 [473.2] to 20.63 [524.0]
B3135-20ECEL	20.00 [508.0]	19.50 [495.3]	8.82 [224.0]	7.56 [192.0]	20.00 [508.0]	20.63 [524.0] to 22.63 [574.8]
B3135-21ECEL	21.00 [533.4]	19.75 [501.6]	8.82 [224.0]	7.56 [192.0]	21.00 [533.4]	21.63 [549.4] to 23.63 [600.2]
B3135-22ECEL	22.00 [558.8]	21.50 [546.1]	8.82 [224.0]	10.08 [256.0]	22.00 [558.8]	22.63 [574.8] to 24.63 [625.6]
B3135-24ECEL	24.00 [609.6]	23.50 [596.9]	8.82 [224.0]	10.08 [256.0]	24.00 [609.6]	24.63 [625.6] to 26.63 [676.4]
B3135-26ECEL	26.00 [660.4]	25.50 [647.7]	8.82 [224.0]	10.08 [256.0]	26.00 [660.4]	26.63 [676.4] to 28.63 [727.2]
B3135-28ECEL	28.00 [711.2]	27.50 [698.5]	8.82 [224.0]	10.08 [256.0]	28.00 [711.2]	28.63 [727.2] to 30.63 [778.0]

* Load rating based on 18" slides installed in a 30" wide drawer cycled 50,000 times.

Drawer and Cabinet Build Requirements

FIGURE 1

Build drawer and cabinet based on dimensions shown.

Drawer side thickness	5/8" [16]	19/32" [15]	9/16" [14]	1/2" [13]
For outside drawer width (deduct from inside cabinet width)	1/2" [13]	9/16" [14]	5/8" [16]	3/4" [19]
For inside drawer width (deduct from inside cabinet width)	1 3/4" [44.5]			

Maximum drawer height equals cabinet opening height minus 13/16" [20.6 mm].

Recommended drawer bottom inset 1/2" [13 mm] max.

FIGURE 2

Drawer depth equals slide length.

Drawer Preparation

FIGURE 3

Notch drawer back flush with drawer bottom to provide clearance for slides. Pre-drill holes for disconnect levers.

FIGURE 4

Pre-drill four holes for disconnect handle assemblies at 10° angle from bottom panel.

FIGURE 5

Install both disconnect levers to bottom of the drawer.

NOTE: The levers should curve toward the center of the drawer.

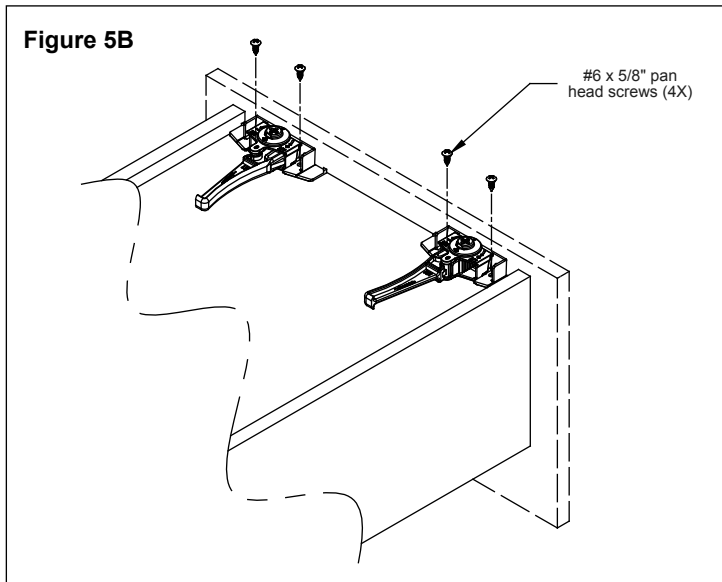
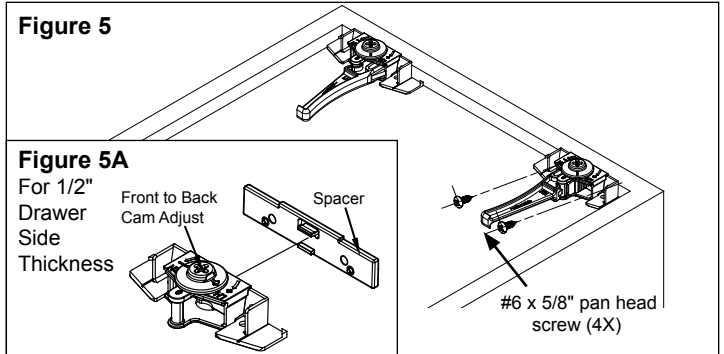
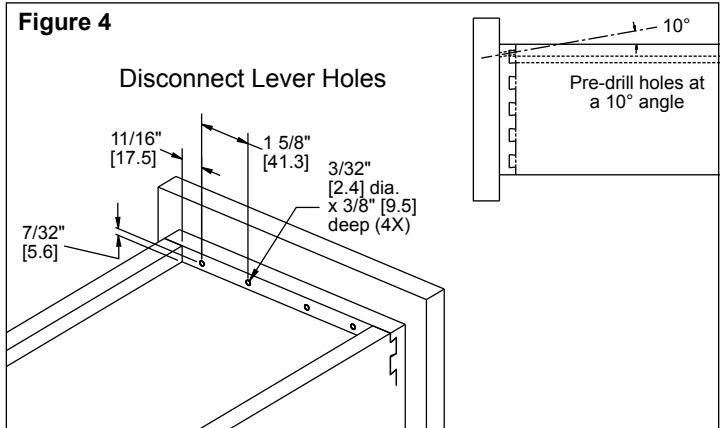
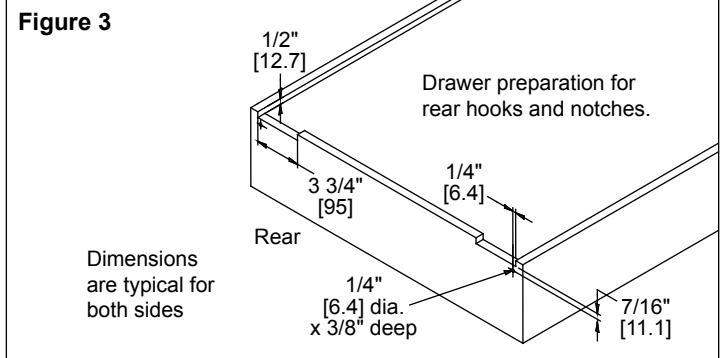
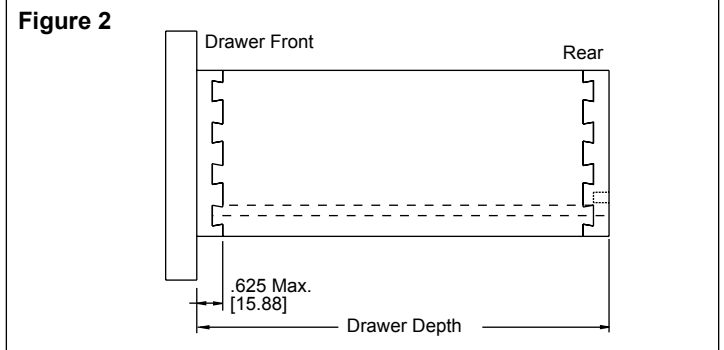
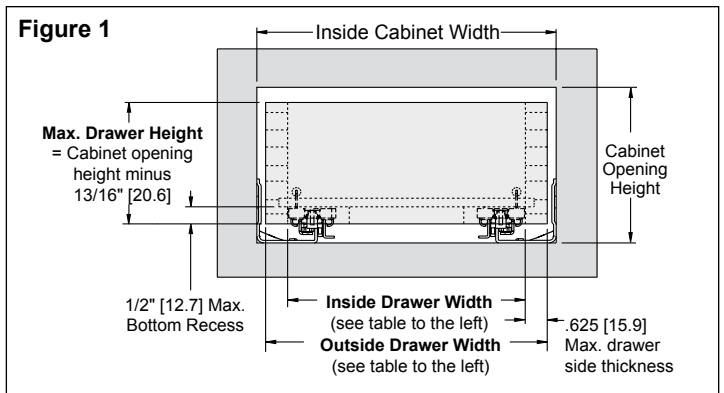
Place disconnect handles against each inside corner of the drawer bottom and install with #6 pan head screws.

Standard Lever Disconnect (vertical and horizontal)

FIGURE 5A and 5B

For 1/2" drawer side thickness, install the included spacers along with the disconnect handles as shown in Figure 5A.

For drawers with bottom panels flush to the drawer front install lever disconnect vertically as seen in Figure 5B.



Cabinet Member Installation

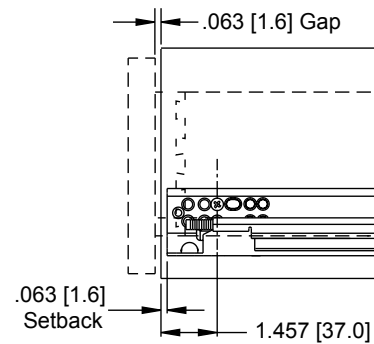
Overlay Side mount or Frameless

FIGURE 6

If needed, pre-drill a hole 37 mm from cabinet front. The optional drill jig can be used to pre-drill this hole and/or pencil mark line in the 37 mm location from the cabinet front. For location of additional screw holes refer to the tabulated data on front page.

Install slides to cabinet wall with #8 x 5/8" flat head screws. Align slide member hole shown to pre-drilled hole 37 mm from front of cabinet to ensure proper gap. A minimum of 3 screws are recommended for each side. To finalize installation, see Fig. 9 instructions.

Figure 6

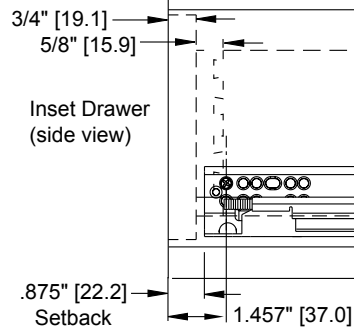


Inset Side mount or Frameless

FIGURE 7

Align slide member hole shown to pre-drilled hole 37 mm from front of cabinet for 5/8" drawer box thickness. Install slides to cabinet wall with #8 x 5/8" flat head screws.

Figure 7

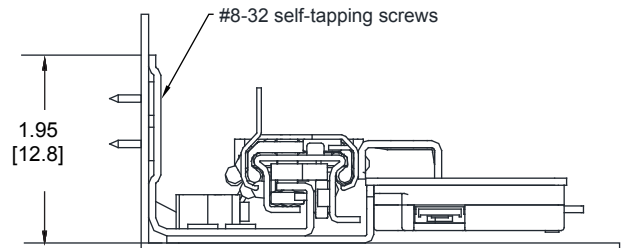


Bottom Mount Bracket Option

FIGURE 8

Purchase the optional bottom mount bracket kit 4180-0569-XE (see last page). Refer to the installation guide provided in the kit for detailed mounting instructions.

Figure 8



Drawer Installation and Adjustments

FIGURE 9

Connect the drawer to the slides. Lower the drawer onto the slides and push until the levers lock onto the front of the slides. Continue to push until the drawer "ratchets" in completely (Figure 9). Check to ensure the rear hooks on the slide fit into the rear holes of the drawer.

Figure 9

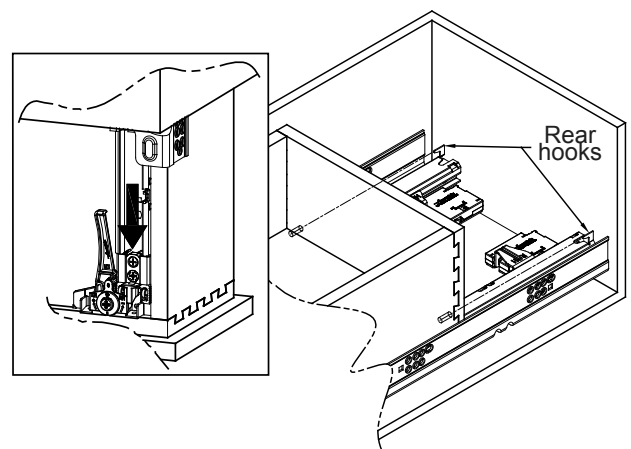


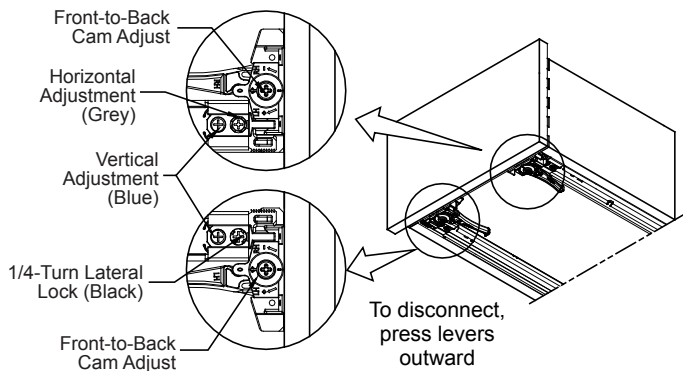
FIGURE 10

NOTE: Prior to making any drawer adjustment, loosen the black 1/4-turn lateral lock by turning it counterclockwise.

Horizontal, Vertical and Front-to-Back adjustment of drawer front is possible by rotating the corresponding cam with a #2 Phillips or #2 pozi screwdriver. To secure drawer front position, lock the drawer position by turning the 1/4-turn lateral lock clockwise 1/4-turn.

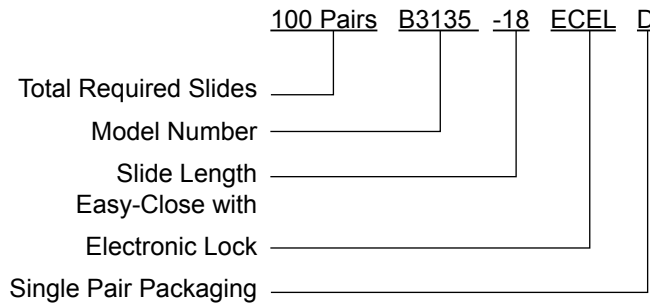
WARNING! Before installing the drawer, you must have access to the lock's manual override lever.

Figure 10



Refer to Senseon Plus Installation Guide for complete instructions.

Complete your order for Accuride model B3135ECEL by specifying the following:



Required Kits

Proximity Kit:

- One proximity kit per each Senseon system.
- Part number SPLUS-US-PROX. The kit includes:
- Proximity Reader 13.56 MHz (1X)
- Reader Holder (1X)
- Reader-to-Controller Cable 36" (1X)
- Controller Assembly (1X)
- MagConnect Cabinet Side (1X)
- Controller-to-Hand held cable assembly 36" (1X)
- Power Supply (1X)
- DC Power Adapter (1X)
- AC Cord (1X)
- Power Supply Holders (2X)
- Power Supply-to-Hub cable 24" (1X)
- Cable Clips (6X)
- Set-Up Card-Orange (1X)
- User Cards with Senseon Plus (10X)
- Master Administrator Card (1X)
- Programming Instructions (1X)
- Reader Surface Mounting Tool (1X)
- Plastic Screwdriver (1X)

Hub Kit-2 Locks:

- One Hub kit for one opening and two locks (drawer). Modular wiring kit part number SPLUS-HUBKIT2L. The kit includes:
- Hub Assembly (1X)
- Hub-to-Lock Cable (1X)
- Hub-to-Controller Cable (1X)
- Cable Clips (4X)
- Hub-to-Controller Cable Clips (2X)

Hand Held Programming Kit:

- Part number SPLUS-PROG-KIT, the kit includes:
- Programmer Assembly (1X)
- Handheld-to-Controller cable assembly 12" (1X)
- MagConnect Programmer side (1X)
- SD Card 8GB (1X)

Extension Cable Kits

- 1- Reader-to-Controller Extension Cables:**
 - 12" Cable with 1 clip, part number SPLUS-CB-R2C12
 - 24" Cable with 2 clips, part number SPLUS-CB-R2C24
- 2- Hub-to-Lock Extension Cables:**
 - 12" Cable with 1 clip, part number SPLUS-CB-H2L12
 - 24" Cable with 2 clips, part number SPLUS-CB-H2L24
- 3- Handheld Programmer Extension Cables:**
 - 12" Cable with 1 clip, part number SPLUS-CB-PRG12
 - 24" Cable with 2 clips, part number SPLUS-CB-PRG24
- 4- Hub-to-Hub, Hub-to-Controller, or Hub-to-Power adapter Center Extension Cables:**
 - 12" Cable with 1 clip, part number SPLUS-CB-CTR12
 - 24" Cable with 2 clips, part number SPLUS-CB-CTR24

RFID Card Kit 13.56 MHz:

- RFID Cards (10X), part number SPLUS-CRD10KIT

RFID Tag Kit 13.56 MHz:

- Tags (10X), part number SPLUS-TAG10KIT

RFID Fob Kit 13.56 MHz:

- Fobs (10X), part number SPLUS-FOB10KIT

Hub Terminator Kit Accessory:

- Part number SPLUS-HUBTMKIT, the kit includes:
- Terminator (1X)
- Hub-to-Terminator Cable 3"
- Clip (1X)

Controller Kit:

- Part number SPLUS-CNTRLKIT, the kit includes:
- Controller Assembly (1X)
- MagConnect Cabinet Side (1X)
- Controller-to-Handheld Cable Assembly 30" (1X)

Reader Kit:

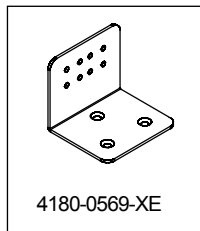
- Part number SPLUS-READRKIT, the kit includes:
- Reader (1X)
- Reader-to-Controller Cable 30" (1X)
- Clips (4X)
- Reader Holder (1X)
- Surface Mounting Kit (1X)

Power Supply Kit:

- Part number SPLUS-PS-KIT, the kit includes:
- Power Supply (1X)
- DC Power Adapter (1X)
- AC Power Cord (1X)
- Power Supply Holder (1X)

Bottom Mount Brackets:

Bottom mount brackets are ordered as a kit. Mounting screws are not included. To order the kit, specify part number 4180-0569-XE. Each kit contains 4 bottom mount brackets, self-tapping screws and one installation sheet.

**Drill Jig (P/N 4180-0568-XE):**

The jig provides hole locations for drawer hook, front face frame hole, lever disconnect, and front cabinet holes.

Tool Kit (P/N 4180-0603-XE):

This kit consist of various handy tools that can assist with the drilling and installation.

Standard Horizontal and Vertical Lever Disconnect (P/N 4180-0747-XE)

One pair individually packaged with 4 ea. #6 x 5/8" Phillips pan head type 17s in a polybag.

Standard Horizontal and Vertical Lever Disconnect, Bulk (P/N 4180-0748-XE)

Left hand and right hand levers are packaged separately. 60 levers per box. Each box contains 120 mounting screws in a polybag.

Specifications

Slide Members:	Cold rolled steel
Ball Retainers:	Polymer
Ball Bearings:	Carburized steel and polymer
Rollers:	Polymer
RoHs Compliant	

NOTE: Specifications, materials, prices, terms, and delivery are subject to change without notice.

Packaging Options**Distributor (D) Pack**

All lengths are packaged 1 pair per box. Box includes one pair of slides with 6 ea. #8 x 5/8" Phillips flat head screws (for slides), 2 ea. standard horizontal disconnect levers, and 4 ea. #6 x 5/8" phillips pan head screws (for levers).

Bulk (P) Pack

All lengths package 4 pairs per box.

A separate polybag containing 36 ea. #8 x 5/8" Phillips flat head screws is included. Disconnect levers and screws for lever installation are ordered separately.

Warranty

For warranty information visit <http://www.senseonsecure.com/warranty>

Accuride®

Accuride International Inc.

12311 Shoemaker Avenue
Santa Fe Springs, CA 90670
TEL (562) 903-0200
FAX (562) 903-0208

Manufacturing, Engineering, and Sales
United States • Germany • Japan •
Mexico • United Kingdom • China

For the most current technical information visit www.accuride.com

⚠ WARNING: This product can expose you to chemicals including nickel, which is known to the State of California to cause cancer and birth defects or other reproductive harm. For more information go to www.P65Warnings.ca.gov.