



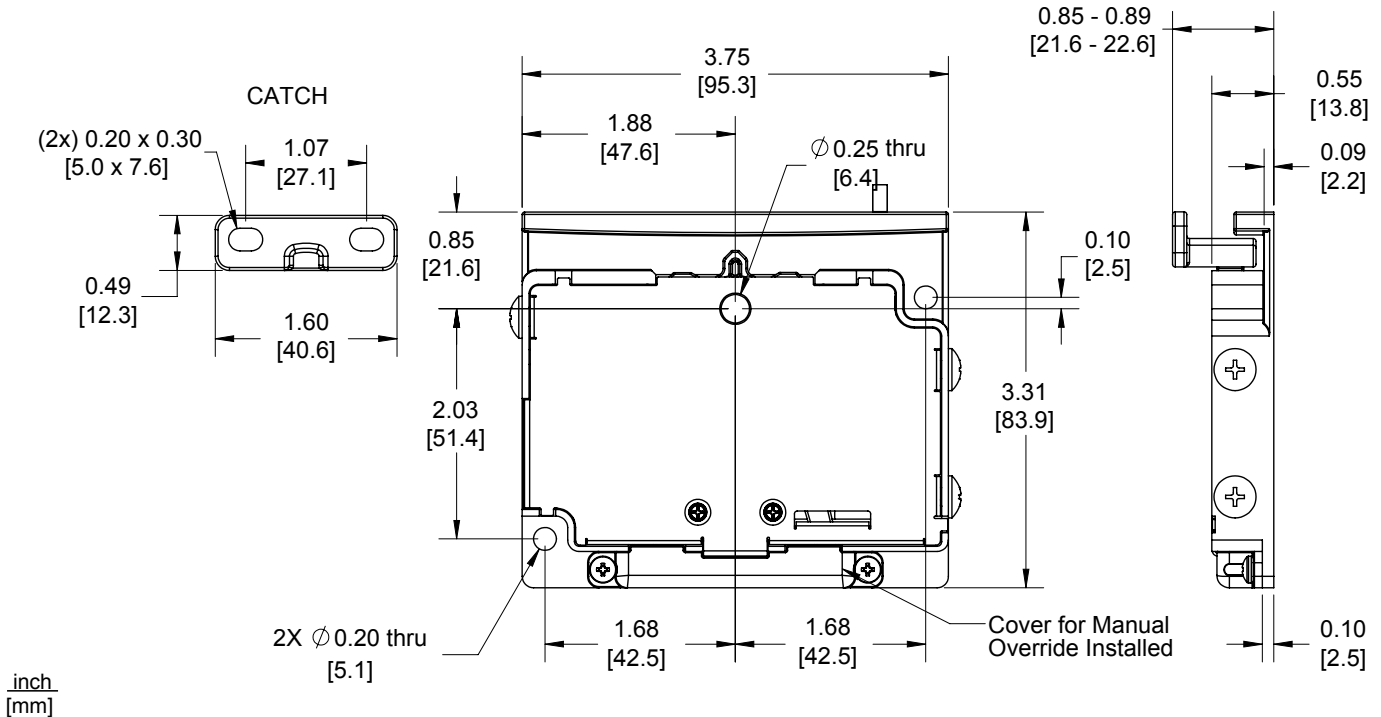
MODEL B2WAY-EL

Electronic Lock for a two-way drawer.
 Withstands up to 800 lbf
 For use with any two-way slide.
 With subversion protection feature

APPLICATION: Provides an easy method to secure and control access to openings that require dual access. The B2WAY-EL is designed to work with any two-way travel slide, although 0363 from Accuride is recommended. Slides other than 0363 may require alternate mounting methods.

B2WAY-EL QUICK REFERENCE

Height: 3.31" [83.9mm]
 Width: 0.55" [13.8mm]
 Length: 3.75" [95.3mm]
 Lock Force: 800 lbf

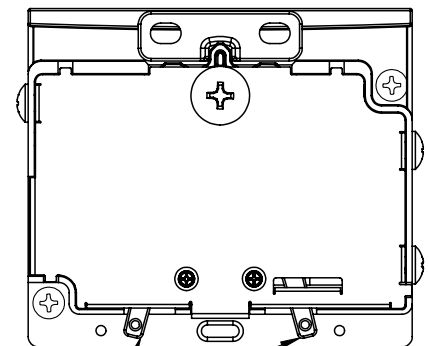


- Finish: Zinc
- Lock Height: 3.31" [83.9 mm]
- Lock Width: .55" [13.8 mm]
- Length: 3.75" [95.3 mm]
- Mounting: Above or below any two-way slide
- Hardware: Lock 1X – ¼ or M6 Truss Head
 (not included) 2X – #10 or M5 Pan Head
 Catch 2X – #10 or M5 Pan Head
- Features: Manual override
 E-lock withstands up to 800 lbf.
 Works with Senseon Plus
- Lock Voltage Supply: +6VDC to +24 VDC max.



WARNING! Before installing the B2WAY-EL, the installer must have access to the manual release lever or the activation device needs to be connected. **Otherwise you will not be able to unlock and open the drawer.**

LOCKED

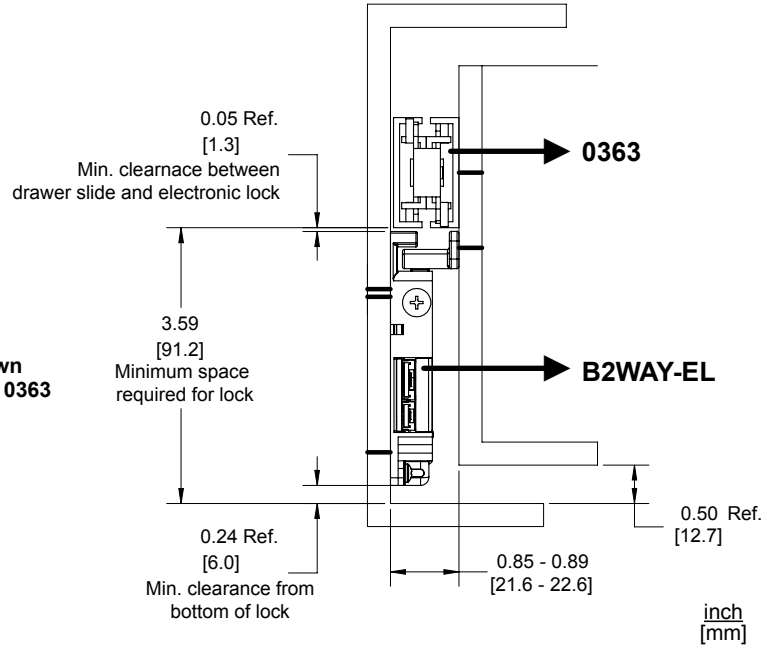


*Lever arm cover removed
 Pull toward center to manually release lock.

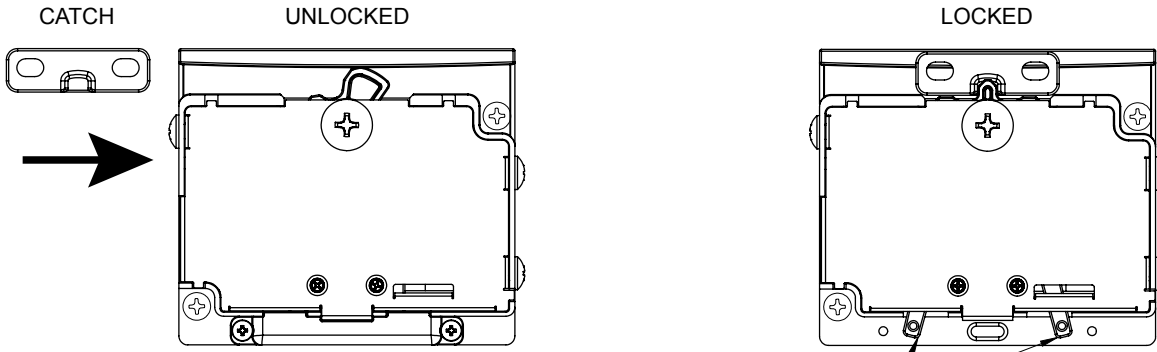
Before installing the B2WAY-EL, the following minimum clearances need to be considered:

1. Distance between drawer slide and B2WAY-EL 0.05" [1.3mm]
2. Distance between the bottom of B2WAY-EL and the bottom of the cabinet 0.24" [6mm]

B2WAY-EL shown under Accuride 0363

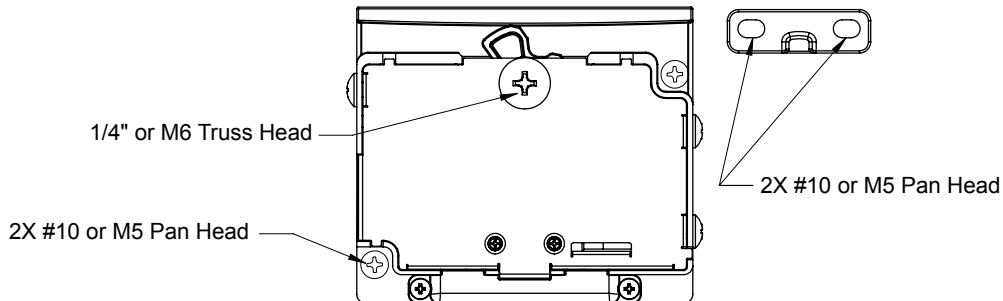


When installing the B2WAY-EL, the position of the catch must be rotated to the unlock position in the direction of the closing travel of the drawer using the manual release, otherwise the catch will not lock properly.



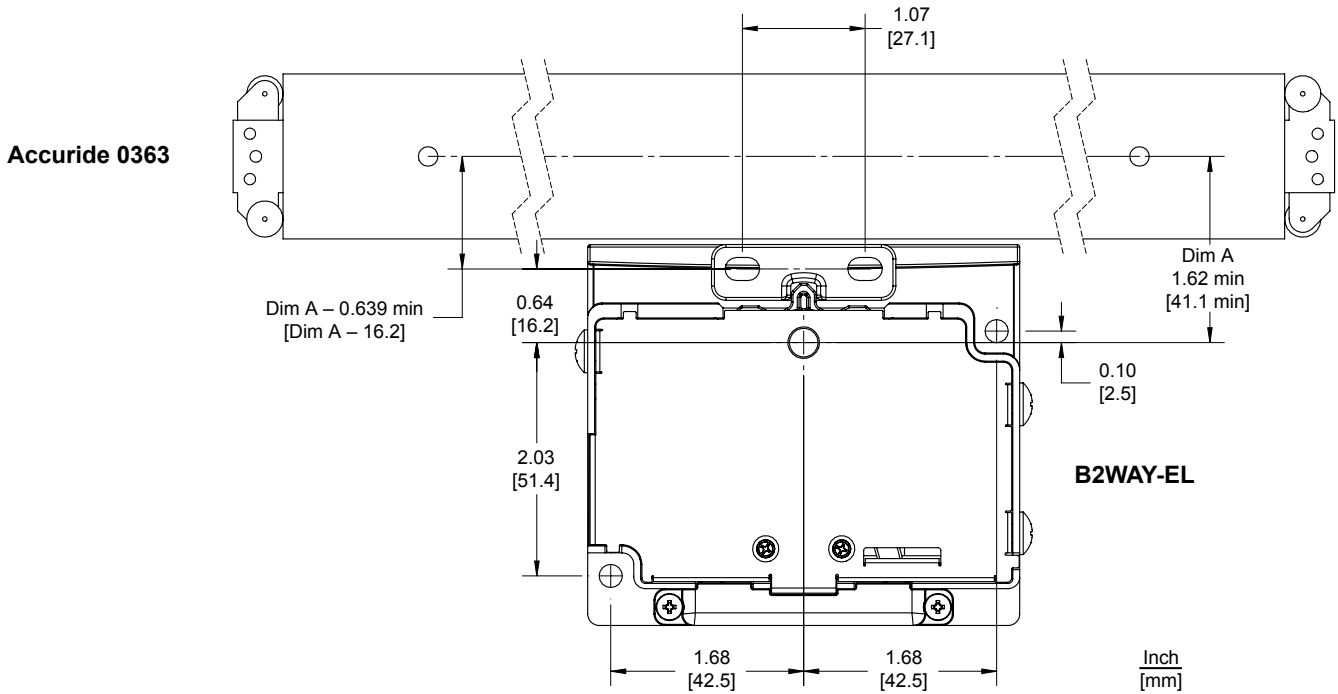
*Manual override cover removed
Pull towards center to manually release lock.

Mounting Hardware (not included)



B2WAY-EL Installation Under the Slide (Accuride 0363)

Lock can be placed anywhere along the length of the slide or in the center. The installer must consider the critical dimensions noted below between the slide centerline and the catch centerline to ensure perfect alignment.



Ordering Instructions

Complete your lock order by specifying the following:

Total Locks 20 each
 Model B2WAY - EL
 Electronic Lock D
 Packaging _____

Note: To complete your order include the proximity and the hub kit.

Specifications

Lock: Zinc and black polymer.
 All components are RoHS compliant.

NOTE: Specifications, materials, prices, terms, and delivery are subject to change without notice.

Packaging

D Pack: One B2WAY-EL per box.

Proximity Kit:

- One proximity kit for each Senseon system.
- Part number SPLUS-US-PROX. The kit includes:
 - Proximity Reader 13.56 MHz (1X)
 - Reader Holder (1X)
 - Reader-to-Controller Cable 36" (1X)
 - Controller Assembly (1X)
 - MagConnect Cabinet Side (1X)
 - Controller-to-Hand held cable assembly 36" (1X)
 - Power Supply (1X)
 - DC Power Adapter (1X)
 - AC Cord (1X)
 - Power Supply Holders (2X)
 - Power Supply-to-Hub cable 24" (1X)
 - Cable Clips (6X)
 - Set Up Card-Orange (1X)
 - User Cards with Senseon Plus (10X)
 - Master Administrator Card (1X)
 - Programming Instructions (1X)
 - Reader Surface Mounting Tool (1X)
 - Plastic Screwdriver (1X)

Hub Kit-1 Lock:

- One Hub Kit per cabinet opening (for a two-way drawer).
- Modular wiring kit part number SPLUS-HUBKIT1L.
- The kit includes:
 - Hub Assembly (1X)
 - Hub-to-Lock Cable (1X)
 - Hub-to Lock Cable Clips (4X)
 - Hub-to-Controller Cable 24" (1X)
 - Hub-to-Controller Cable Clips (2X)
 - Lock Terminator (1X)
 - Lock Terminator-to-Hub 3" Cable (1X)

Hub Kit-2 Locks:

- One hub kit for one opening (for a two way drawer). Modular wiring kit part number SPLUS-HUBKIT2L. The kit includes:
 - Hub Assembly (1X)
 - Hub-to-Lock Cables (2X)
 - Hub-to-Controller Cable (1X)
 - Cable Clips (4X)
 - Hub-to-Controller Cable Clips (2X)

Choose one

Extension Cable Kits

1- Reader-to-Controller Extension Cables:

- 12" Cable with 1 clip, part number SPLUS-CB-R2C12
- 24" Cable with 2 clips, part number SPLUS-CB-R2C24

2- Hub-to-Lock Extension Cables:

- 12" Cable with 1 clip, part number SPLUS-CB-H2L12
- 24" Cable with 2 clips, part number SPLUS-CB-H2L24

3- Handheld Programmer Extension Cables:

- 12" Cable with 1 clip, part number SPLUS-CB-PRG12
- 24" Cable with 2 clips, part number SPLUS-CB-PRG24

4- Hub-to-Hub, Hub-to-Controller, or Hub-to-Power adapter Center Extension Cables:

- 12" Cable with 1 clip, part number SPLUS-CB-CTR12
- 24" Cable with 2 clips, part number SPLUS-CB-CTR24

RFID Card Kit 13.56 MHz:

- RFID Cards (10X), part number SPLUS-CRD10KIT

RFID Tag Kit 13.56 MHz:

- Tags (10X), part number SPLUS-TAG10KIT

RFID Fob Kit 13.56 MHz:

- Fobs (10X), part number SPLUS-FOB10KIT

Hub Terminator Kit Accessory:

- Part number SPLUS-HUBTMKIT, the kit includes:
 - Terminator (1X)
 - Hub-to-Terminator Cable 3"
 - Clip (1X)

Controller Kit:

- Part number SPLUS-CNTRLKIT, the kit includes:
 - Controller Assembly (1X)
 - MagConnect Cabinet Side (1X)
 - Controller-to-Handheld Cable Assembly 30" (1X)

Reader Kit:

- Part number SPLUS-READRKIT, the kit includes:
 - Reader (1X)
 - Reader-to-Controller Cable 30" (1X)
 - Clips (4X)
 - Reader Holder (1X)
 - Surface Mounting Kit (1X)

Power Supply Kit:

- Part number SPLUS-PS-KIT, the kit includes:
 - Power Supply (1X)
 - DC Power Adapter (1X)
 - AC Power Cord (1X)
 - Power Supply Holder (1X)

Optional Kits

Hand Held Programming Kit:

- Part number SPLUS-PROG-KIT, the kit includes:
 - Programmer Assembly (1X)
 - Handheld-to-Controller cable assembly 12" (1X)
 - MagConnect Programmer side (1X)
 - SD Card 8GB (1X)

Warranty

For warranty information visit <http://www.senseonsecure.com/warranty>



Accuride International Inc.
 12311 Shoemaker Avenue Manufacturing, Engineering, and Sales
 Santa Fe Springs, CA 90670 United States • Germany • Japan •
 TEL (562) 903-0200 Mexico • United Kingdom • China
 FAX (562) 903-0208

For the most current technical information visit www accuride.com

⚠ WARNING: This product can expose you to chemicals including nickel, which is known to the State of California to cause cancer and birth defects or other reproductive harm. For more information go to www.P65Warnings.ca.gov.