



MODEL B38TREL

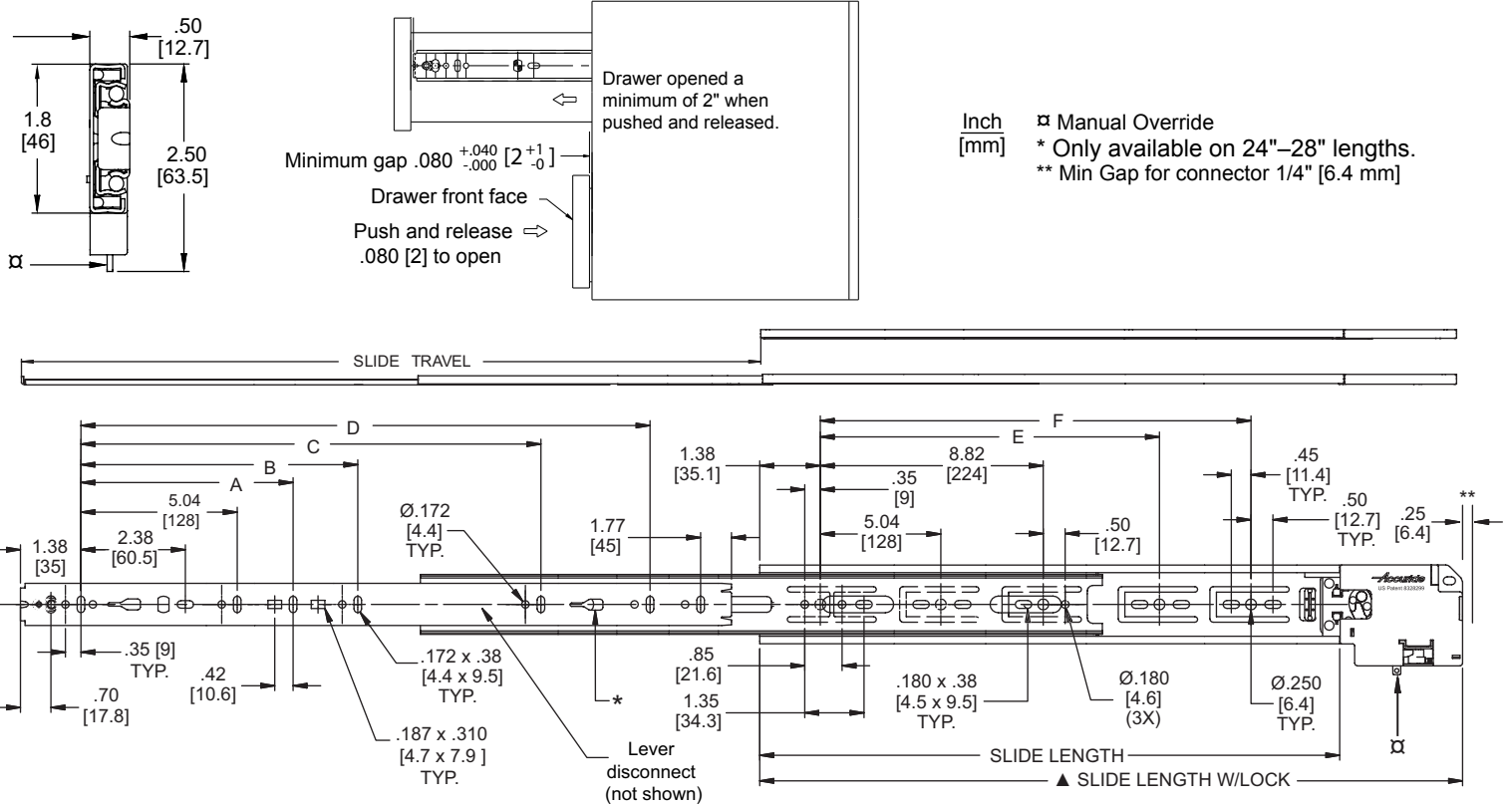
Senseon side mount slide with integrated electronic Touch Release lock.
100lb slide load rating.
With Subversion protection



APPLICATIONS: Provides an easy-to-install method to secure and control access to drawers.
This product is covered by U.S. (8,328,299), and various patents pending.

B38TREL QUICK REFERENCE

Side Space: (1/2"+1/32) X 2
Lengths: 12"–28"
Height: 1.80"
Slide Load: 100-lb.*
Lock Force: 250 lbf.



- Finish:** Clear electroplate(C)
- Lengths:** 12"–28" [300 mm–700 mm]
Note: cabinet depth must include an additional 3" to allow room for the locking mechanism and wiring at the back of the slide.
- SlideLoad Rating:** Up to 100 lbs. [45.5 kg] per pair*
- Travel:** Full extension
- Disconnect:** Handed lever disconnect
- Height:** 1.80" [46mm]
- Height w/Lock:** 2.50" [63.5mm]
- Side Space:** 0.50 +0.031/-0.0 [12.7mm +0.8/0.0] or 1/2 + 1/32
- Mounting Hardware:** #8 pan or truss head screw (recommended max. head height 0.100)
- Features:** Electronic locking mechanism with manual override. Lock withstands up to 250 pounds of force.

Drawer opens about 2" when activated by touch.

* Slide load rating based on 18" slides mounted in a 24" wide drawer cycled 50,000 times.

Part Number	Slide Length	Length w/Lock	Travel	A	B	C	D	E	F
B38TR-EL12	11.81 [300]	14.61 [371]	12.00 [305]						
B38TR-EL14	13.78 [350]	16.58 [421]	14.00 [356]						
B38TR-EL16	15.75 [400]	18.55 [471]	16.00 [406]						12.60 [320]
B38TR-EL18	17.72 [450]	20.51 [521]	18.00 [457]			12.60 [320]			13.86 [352]
B38TR-EL20	19.68 [500]	22.48 [571]	20.00 [508]			12.60 [320]			16.38 [416]
B38TR-EL22	21.65 [550]	24.45 [621]	22.00 [559]			12.60 [320]	16.38 [416]	13.86 [352]	17.64 [448]
B38TR-EL24	23.62 [600]	26.42 [671]	24.00 [610]	8.82 [224]		16.38 [416]		13.86 [352]	18.90 [480]
B38TR-EL26	25.59 [650]	28.39 [721]	26.00 [660]	8.82 [224]		16.38 [416]	21.42 [544]	13.86 [352]	21.42 [544]
B38TR-EL28	27.56 [700]	30.36 [771]	28.00 [711]	8.82 [224]	11.34 [288]	16.38 [416]	21.42 [544]	13.86 [352]	21.42 [544]



WARNING! Before installing the drawer, insure you have access to the lock's manual override lever or the activation device must be connected and working properly. **Otherwise, you will not be able to unlock the slide and open the drawer.**

IMPORTANT:

- Be sure the interior cabinet depth allows for an additional 3" beyond the length of the slide to provide room for the locking mechanism and wiring. See the chart below for minimum cabinet depth. For the inset drawers, be sure to provide sufficient cabinet depth to allow for the slide setback.

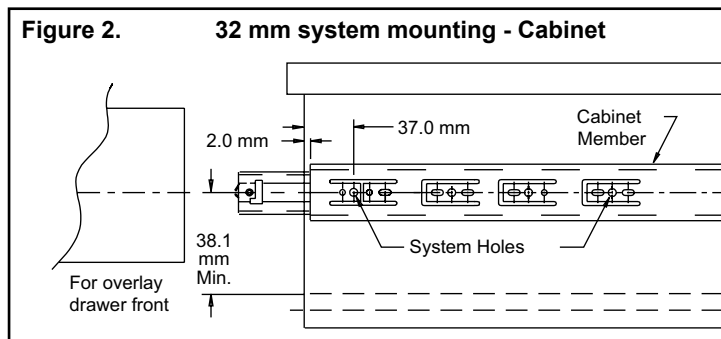
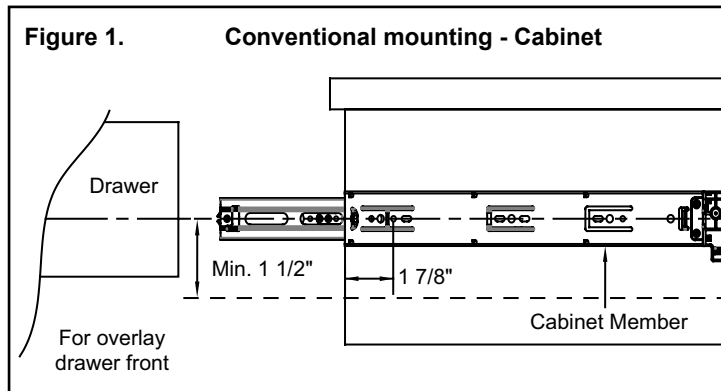
Slide Length	Min. Cabinet Depth
16"	19"
18"	21"
20"	23"
22"	25"

- Slides will not function properly if side space is less than .50" [12.7 mm]. For optimum performance, construct drawer 1-1/16" [27.0 mm] smaller than the opening of the cabinet.

Slide Installation

Install Cabinet Member

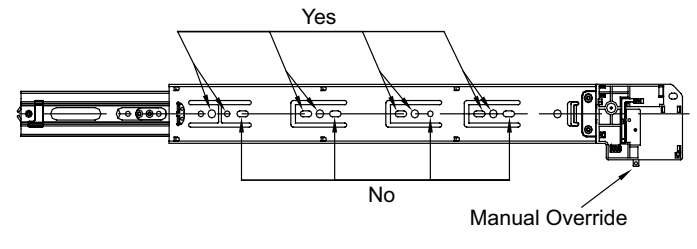
1. Separate the slide members by first actuating the manual override located on the locking mechanism.
2. Then, lift the disconnect lever to release the inner (drawer) member.
3. Overlay drawer front:
 - Conventional mounting, see Figure 1.
 - 32 mm system mounting, see Figure 2.



4. Inset drawer front:
Slide setback is the thickness of the drawer front plus 1/8" [3.2 mm].
5. Use only the 32 mm system holes or the wood screw holes located at the tip of the breathing tabs. Do not use any other holes on the cabinet member for mounting (Figure 3).

Figure 3. Cabinet Member Fastener Locations

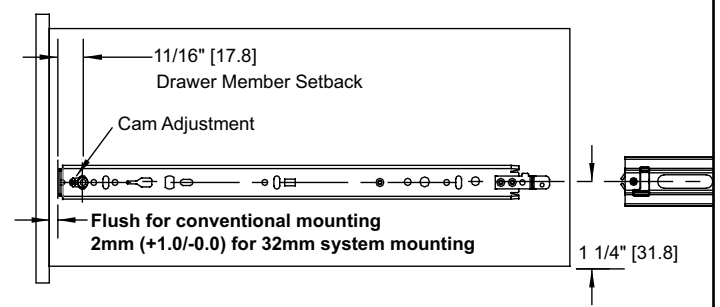
Use all mounting tabs to achieve load rating.



Install Drawer Member

1. See Figure 4 for drawer member setback.
2. Install the drawer member with a screw through the cam adjuster and a screw through a hole or slot at the rear (see Figure 4).

Figure 4. Conventional Mounting and 32 mm Mounting - Drawer



Drawer Insertion and Adjustment



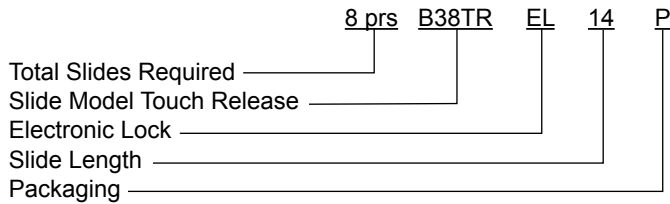
WARNING! Before installing the drawer, you must have access to the lock's manual override lever or the activation device must be connected and working properly. **Otherwise, you will not be able to unlock the slide and open the drawer.**

1. Make sure the ball bearing retainers in the cabinet are fully forward. Install drawer into cabinet and close the drawer.
2. Install additional screws to secure the drawer-member after verifying form and function install.

Refer to Senseon Plus Installation Guide for complete system instructions.

B38TR-EL (Touch Release)

Complete your slide order for B38TREL by specifying the following:



Note: To complete your order refer to required kit part numbers.

Specifications

Slide members and ball retainers: Cold rolled steel
 Ball bearings: Carburized steel/acetel polymer
 Lock: Zinc and black polymer
 RoHS compliant

NOTE: Specifications, materials, prices, terms, and delivery are subject to change without notice.

Packaging Options

Bulk Pack (P): Full box quantity, electronic locks are packaged in a larger box with 4 individual boxes with a pair of B38TREL each.

Required Kits

Proximity Kit:

One proximity kit for each Senseon system.
 Part number SPLUS-US-PROX. The kit includes:
 Proximity Reader 13.56 MHz (1X)
 Reader Holder (1X)
 Reader-to-Controller Cable 36" (1X)
 Controller Assembly (1X)
 MagConnect Cabinet Side (1X)
 Controller-to-Hand held cable assembly 36" (1X)
 Power Supply (1X)
 DC Power Adapter (1X)
 AC Cord (1X)
 Power Supply Holders (2X)
 Power Supply-to-Hub cable 24" (1X)
 Cable Clips (6X)
 Set Up Card-Orange (1X)
 User Cards with Senseon Plus (10X)
 Master Administrator Card (1X)
 Programming Instructions (1X)
 Reader Surface Mounting Tool (1X)
 Plastic Screwdriver (1X)

Hub Kit-2 Locks:

One hub kit for one opening (drawer or door).
 Modular wiring kit part number SPLUS-HUBKIT2L.
 The kit includes:
 Hub Assembly (1X)
 Hub-to-Lock Cables (2X)
 Hub-to-Controller Cable (1X)
 Cable Clips (4X)
 Hub-to-Controller Cable Clips (2X)

Warranty

For warranty information visit
<http://www.senseonsecure.com/warranty>

For the most current technical information please visit www.accuride.com

Hand Held Programming Kit:

Part number SPLUS-PROG-KIT, the kit includes:
 Programmer Assembly (1X)
 Handheld-to-Controller cable assembly 12" (1X)
 MagConnect Programmer side (1X)
 SD Card 8GB (1X)

Extension Cable Kits

1- Reader-to-Controller Extension Cables:

12" Cable with 1 clip, part number SPLUS-CB-R2C12
 24" Cable with 2 clips, part number SPLUS-CB-R2C24

2- Hub-to-Lock Extension Cables:

12" Cable with 1 clip, part number SPLUS-CB-H2L12
 24" Cable with 2 clips, part number SPLUS-CB-H2L24

3- Handheld Programmer Extension Cables:

12" Cable with 1 clip, part number SPLUS-CB-PRG12
 24" Cable with 2 clips, part number SPLUS-CL-PRG24

4- Hub-to-Hub, Hub-to-Controller, or Hub-to-Power adapter Center Extension Cables:

12" Cable with 1 clip, part number SPLUS-CB-CTR12
 24" Cable with 2 clips, part number SPLUS-CB-CTR24

RFID Card Kit 13.56 MHz:

RFID Cards (10X), part number SPLUS-CRD10KIT

RFID Tag Kit 13.56 MHz:

Tags (10X), part number SPLUS-TAG10KIT

RFID Fob Kit 13.56 MHz:

Fobs (10X), part number SPLUS-FOB10KIT

Hub Terminator Kit Accessory:

Part number SPLUS-HUBTMKIT, the kit includes:
 Terminator (1X)
 Hub-to-Terminator Cable 3"
 Clip (1X)

Controller Kit:

Part number SPLUS-CNTR-KIT, the kit includes:
 Controller Assembly (1X)
 MagConnect Cabinet Side (1X)
 Controller-to-Handheld Cable Assembly 30" (1X)

Reader Kit:

Part number SPLUS-READRKIT, the kit includes:
 Reader (1X)
 Reader-to-Controller Cable 30" (1X)
 Clips (4X)
 Reader Holder (1X)
 Surface Mounting Kit (1X)

Power Supply Kit:

Part number SPLUS-PS-KIT, the kit includes:
 Power Supply (1X)
 DC Power Adapter (1X)
 AC Power Cord (1X)
 Power Supply Holder (1X)

Accuride International Inc.

12311 Shoemaker Avenue Manufacturing, Engineering, and Sales
 Santa Fe Springs, CA 90670 United States • Germany • Japan •
 TEL (562) 903-0200 Mexico • United Kingdom • China
 FAX (562) 903-0208

For the most current technical information visit www.accuride.com

⚠ WARNING: This product can expose you to chemicals including nickel, which is known to the State of California to cause cancer and birth defects or other reproductive harm. For more information go to www.P65Warnings.ca.gov.