



**APPLICATION:** Provides an easy-to-install method to secure and control access to doors and other openings. This product is covered by U.S. (8,328,299), and various patents pending.

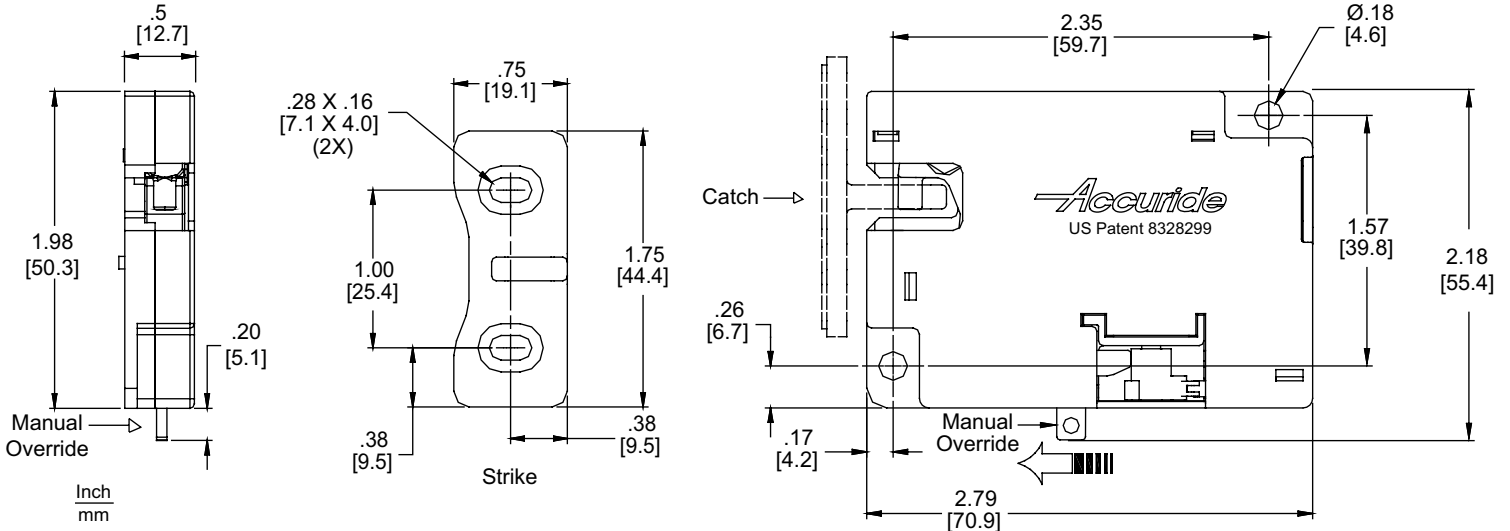
## B10EL Family QUICK REFERENCE

Height: 2.18" [55.4 mm]  
 Length: 2.79" [70.9 mm]  
 Thickness: .50" [12.7 mm]  
 Lock Force: 250 lbf

### MODELS: B10EL/B10ELAO/B10TREL/B10EL-2

Electronic Lock  
 Withstands up to 250 pounds of force

Available standard lock/unlock, Auto-Open, and electronic touch release.  
 With subversion protection feature



Finish: Zinc and black polymer

Height: 2.18" [55.4 mm]

Length: 2.79" [70.9 mm]

Thickness: .50" [12.7 mm]

Mounting Hardware: #8 pan head screw

Features: Electronic locking mechanism with manual override  
 Withstands up to 250 pounds of force  
 Installation jig assists positioning for doors

B10EL: Lock/Unlock, with a detent (open manually)

B10ELAO: Kick-out (automatically opens and propels doors or drawers open about 2" when unlocked)  
 Note: Kick-out action works best with auto-lock feature.  
 Free swing hinges are recommended for Kick-Out best performance.

B10TREL: Electronic touch release and electronic lock.  
 Note: Mechanism propels doors or drawers open when activated by touch.  
 Free swing hinges are recommended for Touch Release best performance.

B10EL-2: Standard lock/unlock, for doors or drawers with soft-close hinges or drawers with soft-close slides.

Subversion Protection Feature.

**100% Guaranty the secure status output from Pin 1 only occurs when the catch is in the locked position and the lock is secure.**

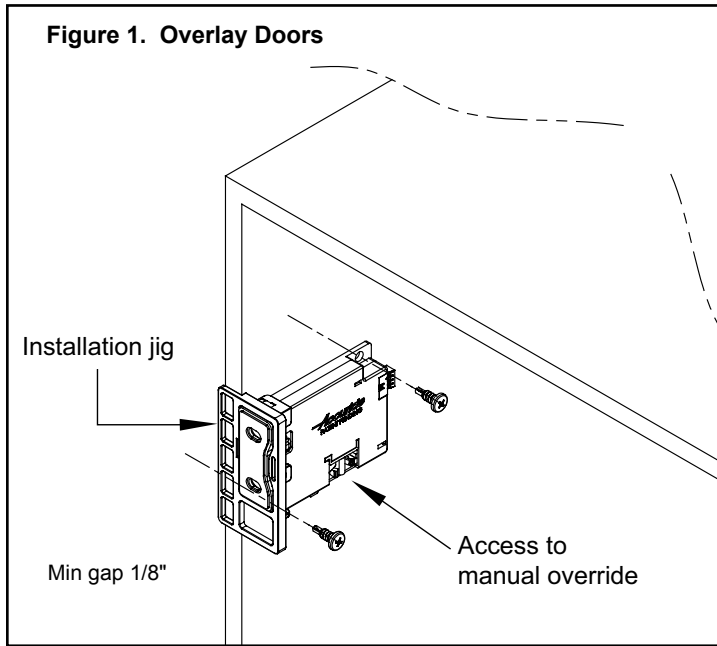


**WARNING!** Before installing the lock, you must have access to the manual override lever or the activation device connected. **Otherwise, you will not be able to unlock and open the door.**

**Overlay Doors**

1. Locate lock assembly by placing the installation jig against the edge of the cabinet at the position desired (Figure 1).
2. Attach the lock assembly to the cabinet using the appropriate mounting screws for your application (Figure 1).

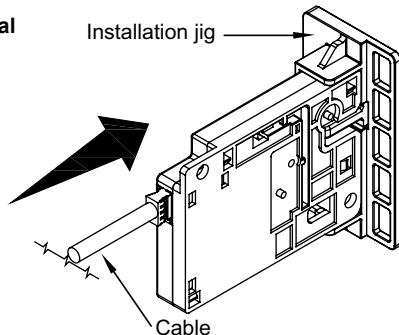
**Figure 1. Overlay Doors**



3. Install the cable to the connector located at the back of the lock assembly. Perform the electrical installation and **make sure the lock assembly locks and unlocks properly before closing the door** (Figure 2).

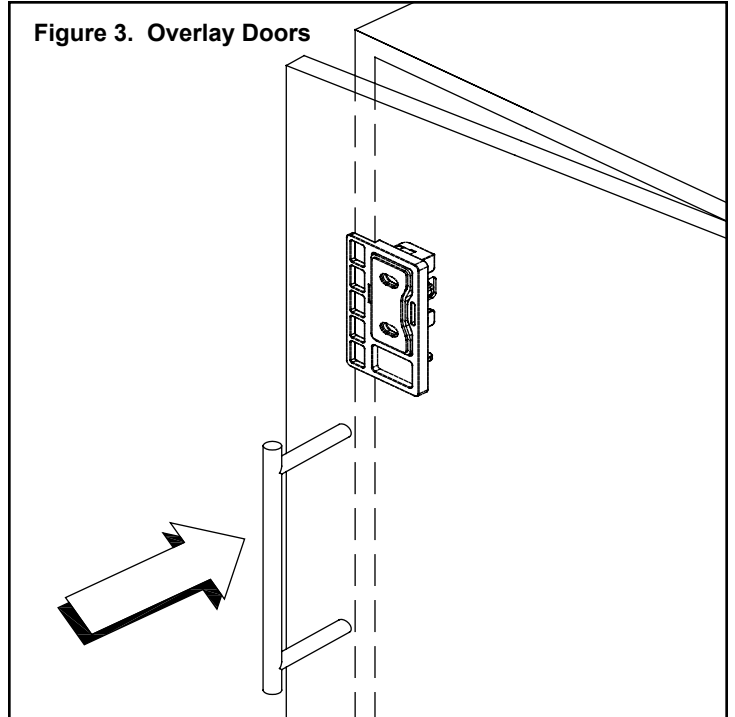
**Figure 2. Overlay Doors**

Be sure you have access to the manual override lever or activation device.



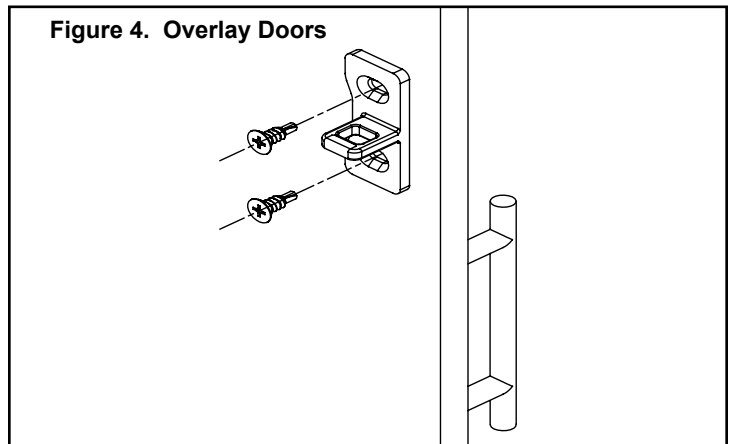
4. Remove one side of the backing from the double-sided tape and apply the tape to the door strike component.
5. With the lock in the closed position, peel the backing off of the double-sided tape on the door strike component.

**Figure 3. Overlay Doors**



6. Close the door and firmly apply pressure to ensure the door striker adheres to the door (Figure 3).
7. Disengage the lock from its closed position using the activation device or manual override.
8. Open the door and remove the installation jig. Attach the door striker using the appropriate flat-head mounting screws for your application (Figure 4).

**Figure 4. Overlay Doors**



**Inset Doors**

1. Drill pilot holes into your cabinet according to Figure 5. Be sure to take panel thickness into consideration.
2. Drill pilot holes into the door according to Figure 6.
3. Install the cable to the connector located at the back of the lock assembly. Perform the electrical installation and **make sure the lock assembly locks and unlocks properly before closing the door.**
4. Fasten lock and door strike respectively, using the appropriate mounting hardware for your application. See Figures 6 and 7.

Refer to Senseon Plus Installation Guide for complete system instructions.

Figure 5. Panel Preparation for Lock

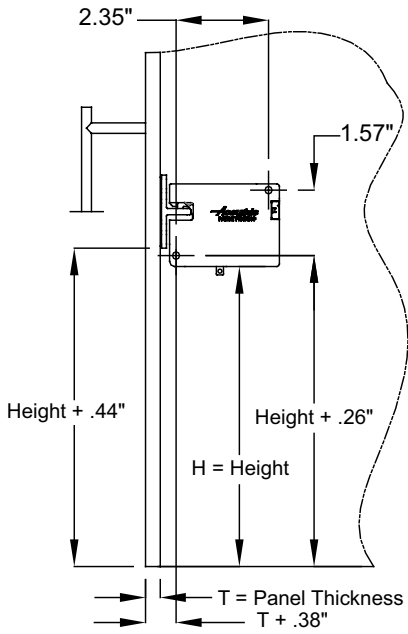


Figure 6. Panel Preparation for Door Strike

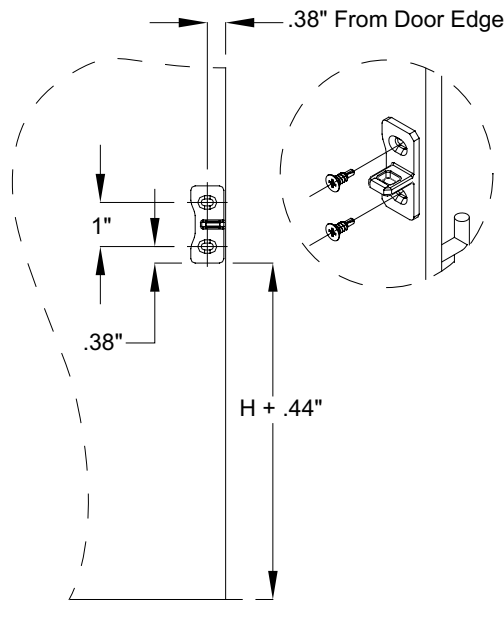
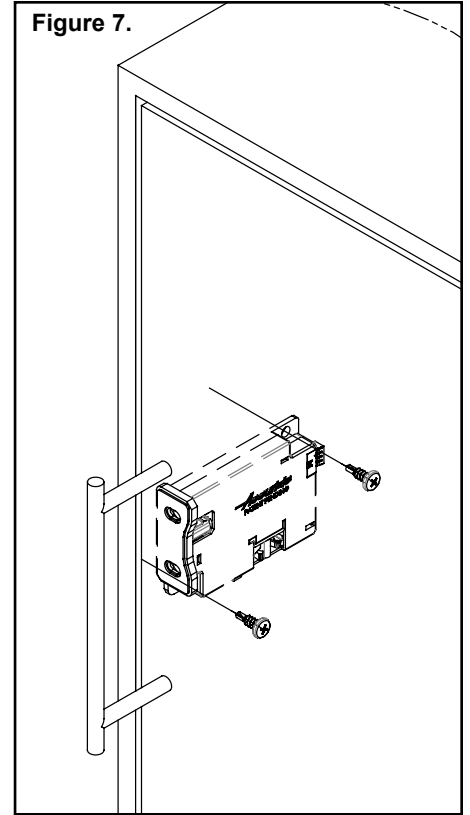


Figure 7.



**Ordering Instructions**

- B10EL-1 (Open Manually)
- B10EL AO1 (Auto-Open-option)
- B10TREL-1 (Electronic Touch Release)
- B10EL-2 (for Soft Close products)

Complete your lock order by specifying the following:

	8 each	B10TREL-1			
	20 each	B10EL	AO1	P	
Total Locks	_____	_____	_____	_____	_____
Model	_____	_____	_____	_____	_____
Kick-Out Option	_____	_____	_____	_____	_____
Packaging	_____	_____	_____	_____	_____

Note: To complete your order include the proximity and the hub kit.

**Packaging Options**

- Each individual electronic lock is packaged in a box which includes an installation jig, double sided tape.
- Bulk pack (P): Full box quantities, includes 10 electronic locks.

**Specifications**

- Lock: Zinc and black polymer.
- All components are RoHS compliant.
- NOTE:** Specifications, materials, prices, terms, and delivery are subject to change without notice.

**Proximity Kit:**

- One proximity kit for each Senseon system.
- Part number SPLUS-US-PROX. The kit includes:
  - Proximity Reader 13.56 MHz (1X)
  - Reader Holder (1X)
  - Reader-to-Controller Cable 36" (1X)
  - Controller Assembly (1X)
  - MagConnect Cabinet Side (1X)
  - Controller-to-Hand held cable assembly 36" (1X)
  - Power Supply (1X)
  - DC Power Adapter (1X)
  - AC Cord (1X)
  - Power Supply Holders (2X)
  - Power Supply-to-Hub cable 24" (1X)
  - Cable Clips (6X)
  - Set Up Card-Orange (1X)
  - User Cards with Senseon Plus (10X)
  - Master Administrator Card (1X)
  - Programming Instructions (1X)
  - Reader Surface Mounting Tool (1X)
  - Plastic Screwdriver (1X)

Choose one

**Hub Kit-1 Lock:**

- One Hub Kit per cabinet opening (drawer and door).
- Modular wiring kit part number SPLUS-HUBKIT1L.
- The kit includes:
  - Hub Assembly (1X)
  - Hub-to-Lock Cable (1X)
  - Hub-to Lock Cable Clips (4X)
  - Hub-to-Controller Cable 24" (1X)
  - Hub-to-Controller Cable Clips (2X)
  - Lock Terminator (1X)
  - Lock Terminator-to-Hub 3" Cable (1X)

**Hub Kit-2 Locks:**

- One hub kit for one opening (drawer or door).
- Modular wiring kit part number SPLUS-HUBKIT2L.
- The kit includes:
  - Hub Assembly (1X)
  - Hub-to-Lock Cables (2X)
  - Hub-to-Controller Cable (1X)
  - Cable Clips (4X)
  - Hub-to-Controller Cable Clips (2X)

**Optional Kits**

**Hand Held Programming Kit:**

- Part number SPLUS-PROG-KIT, the kit includes:
  - Programmer Assembly (1X)
  - Handheld-to-Controller cable assembly 12" (1X)
  - MagConnect Programmer side (1X)
  - SD Card 8GB (1X)

**Warranty**

For warranty information visit  
<http://www.senseonsecure.com/warranty>

**Extension Cable Kits**

**1- Reader-to-Controller Extension Cables:**

- 12" Cable with 1 clip, part number SPLUS-CB-R2C12
- 24" Cable with 2 clips, part number SPLUS-CB-R2C24

**2- Hub-to-Lock Extension Cables:**

- 12" Cable with 1 clip, part number SPLUS-CB-H2L12
- 24" Cable with 2 clips, part number SPLUS-CB-H2L24

**3- Handheld Programmer Extension Cables:**

- 12" Cable with 1 clip, part number SPLUS-CB-PRG12
- 24" Cable with 2 clips, part number SPLUS-CB-PRG24

**4- Hub-to-Hub, Hub-to-Controller, or Hub-to-Power adapter Center Extension Cables:**

- 12" Cable with 1 clip, part number SPLUS-CB-CTR12
- 24" Cable with 2 clips, part number SPLUS-CB-CTR24

**RFID Card Kit 13.56 MHz:**

- RFID Cards (10X), part number SPLUS-CRD10KIT

**RFID Tag Kit 13.56 MHz:**

- Tags (10X), part number SPLUS-TAG10KIT

**RFID Fob Kit 13.56 MHz:**

- Fobs (10X), part number SPLUS-FOB10KIT

**Hub Terminator Kit Accessory:**

- Part number SPLUS-HUBTMKIT, the kit includes:
  - Terminator (1X)
  - Hub-to-Terminator Cable 3"
  - Clip (1X)

**Controller Kit:**

- Part number SPLUS-CNTRLKIT, the kit includes:
  - Controller Assembly (1X)
  - MagConnect Cabinet Side (1X)
  - Controller-to-Handheld Cable Assembly 30" (1X)

**Reader Kit:**

- Part number SPLUS-READRKIT, the kit includes:
  - Reader (1X)
  - Reader-to-Controller Cable 30" (1X)
  - Clips (4X)
  - Reader Holder (1X)
  - Surface Mounting Kit (1X)

**Power Supply Kit:**

- Part number SPLUS-PS-KIT, the kit includes:
  - Power Supply (1X)
  - DC Power Adapter (1X)
  - AC Power Cord (1X)
  - Power Supply Holder (1X)



Accuride International Inc.

12311 Shoemaker Avenue      Manufacturing, Engineering, and Sales  
 Santa Fe Springs, CA 90670      United States • Germany • Japan •  
 TEL (562) 903-0200      Mexico • United Kingdom • China  
 FAX (562) 903-0208

For the most current technical information visit [www accuride.com](http://www accuride.com)

**⚠ WARNING:** This product can expose you to chemicals including nickel, which is known to the State of California to cause cancer and birth defects or other reproductive harm. For more information go to [www.P65Warnings.ca.gov](http://www.P65Warnings.ca.gov).