



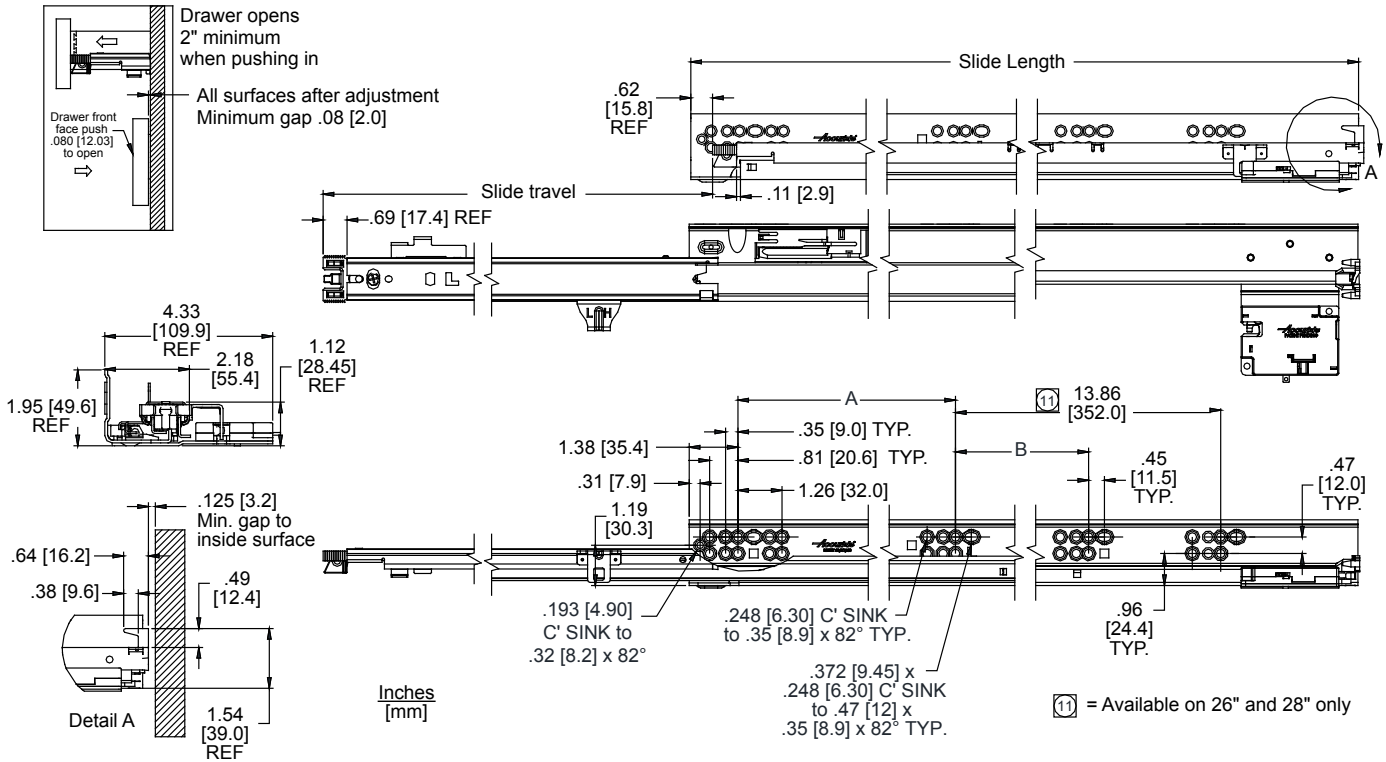
Model B3135TREL

Senseon Eclipse undermount slide electronic touch release.
 Vertical, horizontal, and front to back drawer front adjustment.
 Optional Bottom Brackets
 Standard subversion protection feature.

APPLICATIONS: For use in commercial and high end residential applications in drawers and shelves up to 30" wide. **This product is covered by U.S. (8,328,299) and various patents pending.**

B3135TREL QUICK REFERENCE

Mounting: Undermount (Side)
 Lengths: Even lengths 12"-28",
 plus 15" and 21"
 Slide Load Rating: 100 lbs.*
 Senseon Electronic Lock with Touch Release
 Lock Force: 250 lbf



Lengths Even lengths 12"–28" [305 mm–711 mm],
 15" [381 mm] and 21" [533.4 mm]

Height 1.12 [28.5]-Under drawer
 1.95 [49.6]-Overall

Travel Full extension

Slide Finish Bright electro-zinc

Load Rating 100 lbs.* [45.5 kg]

Mounting Undermount (Side), Optional bottom brackets available.

Features Compatible with 1/2" [12.7 mm] to 5/8" [15.9 mm] drawer box thickness, 1/8" [3.2 mm] range of horizontal, vertical, front to back drawer front adjustment.

Part number	Slide Length	Slide Travel	A	B	C	Drawer Depths	Cabinet Depths
B3135-12TREL	12.00 [304.8]	11.33 [287.7]	5.04 [128.0]	3.78 [96.0]	—	12.00 [304.8]	12.63 [320.8] to 14.63 [371.6]
B3135-14TREL	14.00 [355.6]	13.33 [338.5]	5.04 [128.0]	3.78 [96.0]	—	14.00 [355.6]	14.63 [371.6] to 16.63 [422.4]
B3135-15TREL	15.00 [381.0]	14.33 [363.9]	5.04 [128.0]	7.56 [192.0]	—	15.00 [381.0]	15.63 [397.0] to 17.63 [447.8]
B3135-16TREL	16.00 [406.4]	15.33 [389.3]	5.04 [128.0]	7.56 [192.0]	—	16.00 [406.4]	16.63 [422.4] to 18.63 [473.2]
B3135-18TREL	18.00 [457.2]	17.33 [440.2]	5.04 [128.0]	7.56 [192.0]	—	18.00 [457.2]	18.63 [473.2] to 20.63 [524.0]
B3135-20TREL	20.00 [508.0]	19.33 [490.9]	8.82 [224.0]	7.56 [192.0]	—	20.00 [508.0]	20.63 [524.0] to 22.63 [574.8]
B3135-21TREL	21.00 [533.4]	20.33 [516.3]	8.82 [224.0]	7.56 [192.0]	10.08 [256.0]	21.00 [533.4]	21.63 [549.4] to 23.63 [600.2]
B3135-22TREL	22.00 [558.8]	21.33 [541.8]	8.82 [224.0]	10.08 [256.0]	—	22.00 [558.8]	22.63 [574.8] to 24.63 [625.6]
B3135-24TREL	24.00 [609.6]	23.33 [592.2]	8.82 [224.0]	10.08 [256.0]	—	24.00 [609.6]	24.63 [625.6] to 26.63 [676.4]
B3135-26TREL	26.00 [660.4]	25.33 [643.3]	8.82 [224.0]	10.08 [256.0]	13.86 [352.0]	26.00 [660.4]	26.63 [676.4] to 28.63 [727.2]
B3135-28TREL	28.00 [711.2]	27.33 [694.1]	8.82 [224.0]	10.08 [256.0]	13.86 [352.0]	28.00 [711.2]	28.63 [727.2] to 30.63 [778.0]

* Load rating based on 18" slides installed in a 30" wide drawer cycled 50,000 times.

Drawer and Cabinet Build Requirements

FIGURE 1

Build drawer and cabinet based on dimensions shown.

Drawer side thickness	5/8" [16]	19/32" [15]	9/16" [14]	1/2" [13]
For outside drawer width (deduct from inside cabinet width)	1/2" [13]	9/16" [14]	5/8" [16]	3/4" [19]
For inside drawer width (deduct from inside cabinet width)	1 3/4" [44.5]			

Maximum drawer height equals cabinet opening height minus 13/16" [20.6 mm].

Recommended drawer bottom inset 1/2" [13 mm] max.

FIGURE 2

Drawer depth equals slide length.

Drawer Preparation

FIGURE 3

Notch drawer back flush with drawer bottom to provide clearance for slides.*

FIGURE 4

Pre-drill four holes for disconnect handle assemblies at 10° angle from bottom panel.*

Pre-drill two holes for slide hooks.*

FIGURE 5

Install both disconnect levers to bottom of the drawer.

NOTE: The levers should curve toward the center of the drawer.

Place disconnect handles against each inside corner of the drawer bottom and install with #6 pan head screws.

Standard Lever Disconnect (vertical and horizontal)

FIGURE 5 and 5B

For drawers with bottom panels flush to the drawer sub-front install lever disconnect vertically as seen in figure 5B.

For horizontal applications install lever disconnect as shown in Figure 5.

***NOTE: The optional drill jig can be used to mark the notch and pre-drill holes on the drawer.**

FIGURE 5B

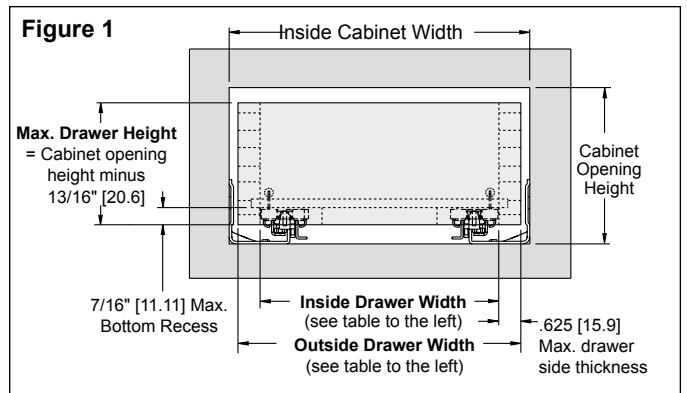
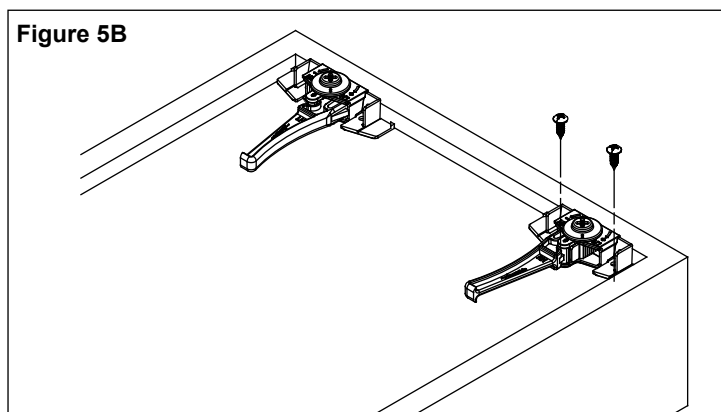


Figure 2

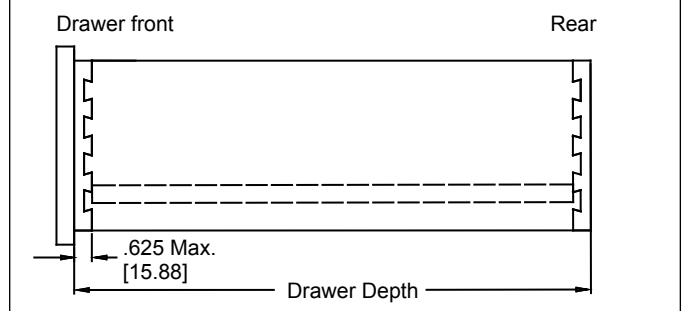


Figure 3

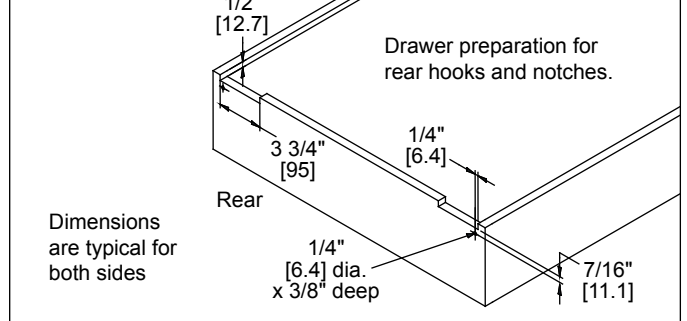


Figure 4

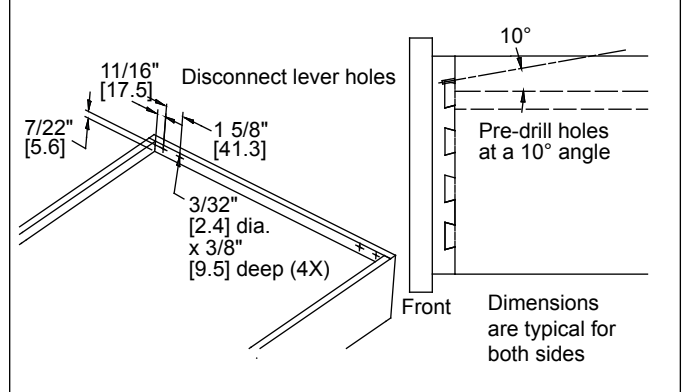
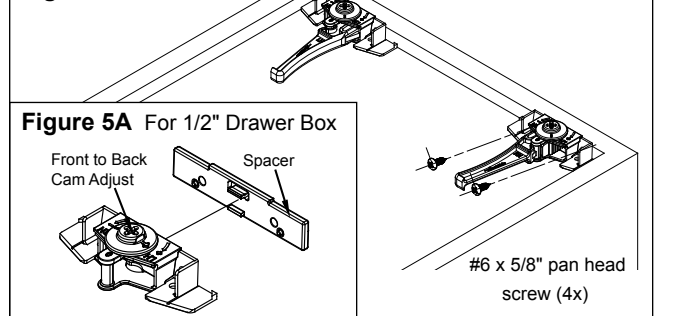


Figure 5



Cabinet Member Installation

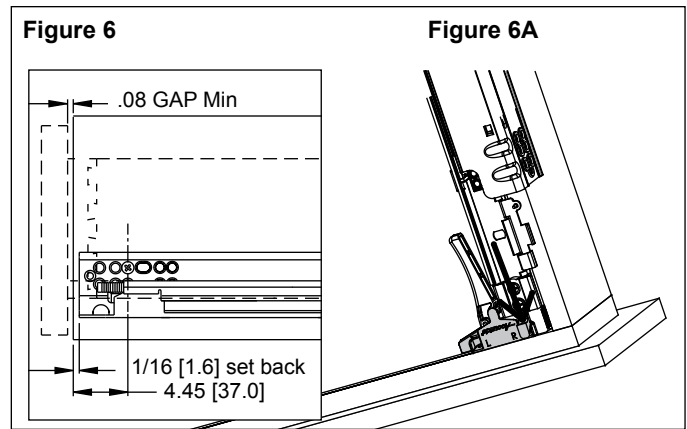
Overlay Side mount or Frameless

FIGURE 6

If needed, pre-drill a hole 37 mm from cabinet front. The optional drill jig can be used to pre-drill this hole and/or pencil mark line in the 37 mm location from the cabinet front. For location of additional screw holes refer to the tabulated data on front page.

Install slides to cabinet wall with #8 x 5/8" flat head screws. Align slide member hole shown to pre-drilled hole 37 mm from front of cabinet to ensure proper gap. A minimum of 3 screws are recommended for each side. To finalize installation, see Fig. 9 instructions.

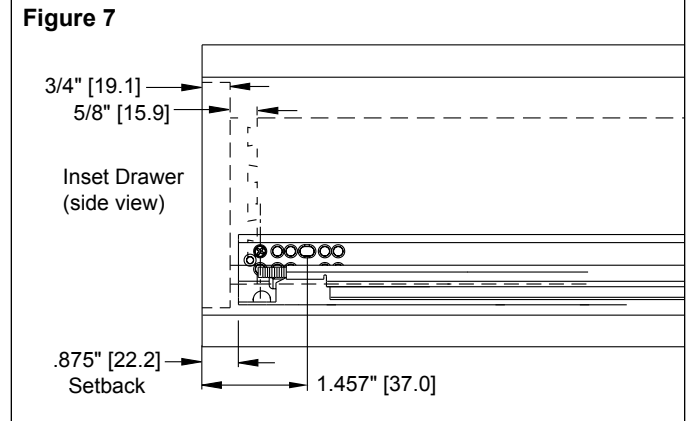
NOTE: After final adjustment must have a minimum gap of .08 [2.0] between drawer and inside cabinet wall (use at least one round hole to fix slide).



Inset Side mount or Frameless

FIGURE 7

Align slide member hole shown to pre-drilled hole 37 mm from front of cabinet for 5/8" drawer box thickness. Install slides to cabinet wall with #8 x 5/8" flat head screws.



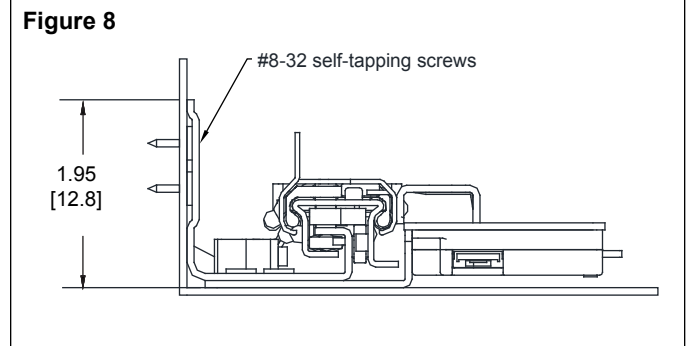
Overlay/Inset Face Frame

See the list of optional hardware kits on last page to select and purchase the appropriate face frame kit. Three separate kits are available to cover all face frame applications. Refer to the installation guide provided in each kit for mounting instructions.

Bottom Mount Bracket Option

FIGURE 8

Purchase the optional bottom mount bracket kit 4180-0569-XE (see last page). Refer to the installation guide provided in the kit for detailed mounting instructions.



Drawer Installation and Adjustments

FIGURE 9

Connect the drawer to the slides. Lower the drawer onto the slides and push until the levers lock onto the front of the slides. Continue to push until the drawer "ratchets" in completely (Figure 6A). Check to ensure the rear hooks on the slide fit into the rear holes of the drawer.

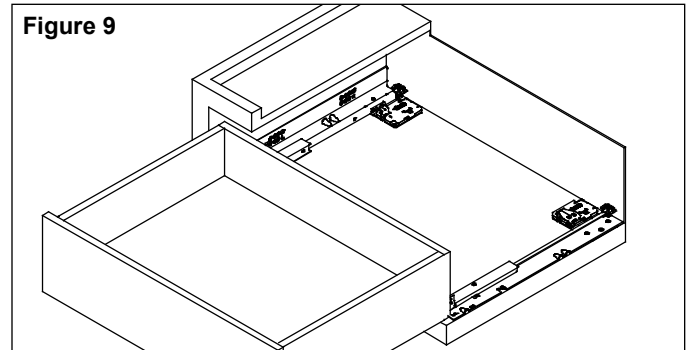
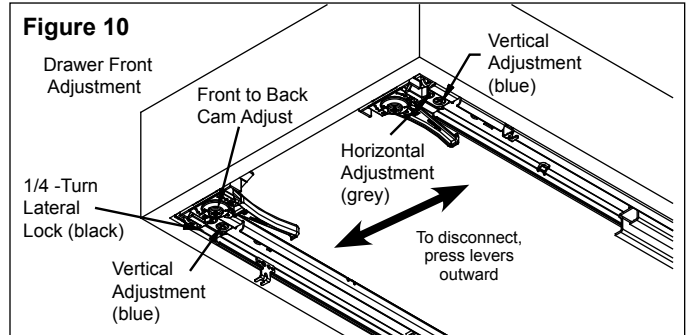


FIGURE 10

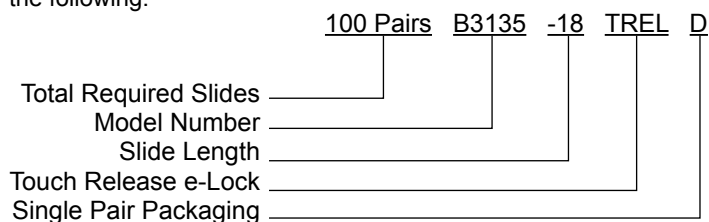
NOTE: Prior to making any drawer adjustment, loosen the black 1/4-turn lateral lock by turning it counterclockwise.

Adjust horizontal and vertical position of drawer front by rotating the corresponding cam with a #2 Phillips or #2 pozi screwdriver. To secure drawer front position, lock the drawer position by turning the 1/4-turn lateral lock clockwise 1/4-turn.



Refer to Senseon Plus Installation Guide for complete system instructions.

Complete your order for Accuride model B3135TREL by specifying the following:



Required Kits

Proximity Kit:

- One proximity kit per each Senseon system.
- Part number SPLUS-US-PROX. This kit includes:
 - Proximity Reader 13.56 MHz (1X)
 - Reader Holder (1X)
 - Reader-to-Controller Cable 36" (1X)
 - Controller Assembly (1X)
 - MagConnect Cabinet Side (1X)
 - Controller-to-Hand held cable assembly 36" (1X)
 - Power Supply (1X)
 - DC Power Adapter (1X)
 - AC Cord (1X)
 - Power Supply Holders (2X)
 - Power Supply-to-Hub cable 24" (1X)
 - Cable Clips (6X)
 - Set-Up Card-Orange (1X)
 - User Cards with Senseon Plus (10X)
 - Master Administrator Card (1X)
 - Programming Instructions (1X)
 - Reader Surface Mounting Tool (1X)
 - Plastic Screwdriver (1X)

Hub Kit-2 Locks:

- One hub kit for one opening with two locks (drawer). Modular wiring kit part number SPLUS-HUBKIT2L. The kit includes:
 - Hub Assembly (1X)
 - Hub-to-Lock Cable (1X)
 - Hub-to-Controller Cable (1X)
 - Cable Clips (4X)
 - Hub-to-Controller Cable Clips (2X)

Hand Held Programming Kit:

- Part number SPLUS-PROG-KIT, the kit includes:
 - Programmer Assembly (1X)
 - Handheld-to-Controller cable assembly 12" (1X)
 - MagConnect Programmer side (1X)
 - SD Card 8GB (1X)

Extension Cable Kits

- 1- Reader-to-Controller Extension Cables:**
 - 12" Cable with 1 clip, part number SPLUS-CBL-R2C12
 - 24" Cable with 2 clips, part number SPLUS-CBL-R2C24
- 2- Hub-to-Lock Extension Cables:**
 - 12" Cable with 1 clip, part number SPLUS-CBL-H2L12
 - 24" Cable with 2 clips, part number SPLUS-CBL-H2L24
- 3- Handheld Programmer Extension Cables:**
 - 12" Cable with 1 clip, part number SPLUS-CBL-PRG12
 - 24" Cable with 2 clips, part number SPLUS-CBL-PRG24
- 4- Hub-to-Hub, Hub-to-Controller, or Hub-to-Power adapter Center Extension Cables:**
 - 12" Cable with 1 clip, part number SPLUS-CBL-CTR12
 - 24" Cable with 2 clips, part number SPLUS-CBL-CTR24

RFID Card Kit 13.56 MHz:

- RFID Cards (10X), part number SPLUS-CRD-10KIT

RFID Tag Kit 13.56 MHz:

- Tags (10X), part number SPLUS-TAG-10KIT

RFID Fob Kit 13.56 MHz:

- Fobs (10X), part number SPLUS-FOB-10KIT

Hub Terminator Kit Accessory:

- Part number SPLUS-HUBTRM-KIT, the kit includes:
 - Terminator (1X)
 - Hub-to-Terminator Cable 3"
 - Clip (1X)

Controller Kit:

- Part number SPLUS-CNTRL-KIT, the kit includes:
 - Controller Assembly (1X)
 - MagConnect Cabinet Side (1X)
 - Controller-to-Handheld Cable Assembly 30" (1X)

Reader Kit:

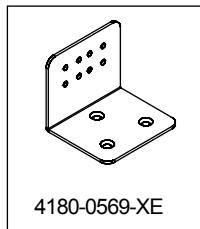
- Part number SPLUS-READR-KIT, the kit includes:
 - Reader (1X)
 - Reader-to-Controller Cable 30" (1X)
 - Clips (4X)
 - Reader Holder (1X)
 - Surface Mounting Kit (1X)

Power Supply Kit:

- Part number SPLUS-PS-KIT, the kit includes:
 - Power Supply (1X)
 - DC Power Adapter (1X)
 - AC Power Cord (1X)
 - Power Supply Holder (1X)

Bottom Mount Brackets

Bottom mount brackets are ordered as a kit. Mounting screws are not included. To order the kit, specify part number 4180-0569-XE. Each kit contains 4 bottom mount brackets, self-tapping screws and one installation sheet.



4180-0569-XE

Drill Jig (P/N 4180-0568-XE)

The jig provides hole locations for drawer hook, front face frame hole, disconnect lever, and front cabinet holes.

Tool Kit (P/N 4180-0603-XE)

This kit consists of various handy tools that can assist with the drilling and installation.

Specifications

Slide Members:	Cold rolled steel
Ball Retainers:	Polymer
Ball Bearings:	Carburized steel and polymer
Rollers:	Polymer
RoHs Compliant	

NOTE: Specifications, materials, prices, terms, and delivery are subject to change without notice.

Distributor (D) Pack

All lengths are packaged 1 pair per box. Box includes one pair of slides with 6 ea. #8 x 5/8" Phillips flat head screws (for slides), 2 ea. standard horizontal disconnect levers, and 4 ea. #6 x 5/8" Phillips pan head screws (for levers).

Bulk (P) Pack

All lengths package 4 pairs per box.

A separate polybag containing 36 ea. #8 x 5/8" Phillips flat head screws is included. Disconnect levers and screws for lever installation are ordered separately.

Disconnect Lever Packaging Options**Standard Horizontal and Vertical Lever Disconnect (P/N 4180-0747)**

One pair individually packaged with 4 ea. #6 x 5/8" Phillips pan head type 17s in a polybag.

Standard Horizontal and Vertical Lever Disconnect, Bulk (P/N 4180-0748)

Left hand and right hand levers are packaged separately. 60 levers per box. Each box contains 120 mounting screws in a polybag.

Warranty

For warranty information visit <http://www.senseonsecure.com/warranty>

Accuride®

Accuride International Inc.

12311 Shoemaker Avenue
Santa Fe Springs, CA 90670
TEL (562) 903-0200
FAX (562) 903-0208

Manufacturing, Engineering, and Sales
United States • Germany • Japan •
Mexico • United Kingdom • China

For the most current technical information visit www.accuride.com

⚠ WARNING: This product can expose you to chemicals including nickel, which is known to the State of California to cause cancer and birth defects or other reproductive harm. For more information go to www.P65Warnings.ca.gov.