



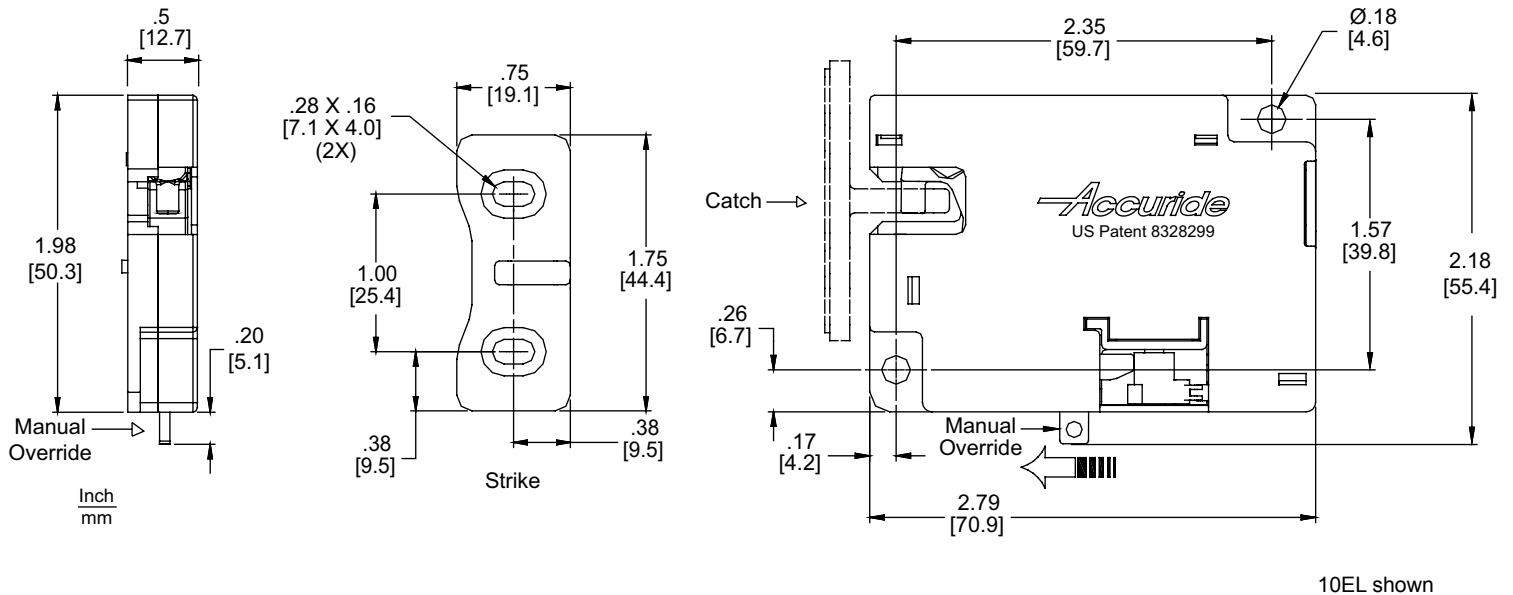
**APPLICATION:** Provides an easy-to-install method to secure and control access to doors and other openings. This product is covered by U.S. (8,328,299), and various patents pending.

## 10EL/10ELAO/10TREL/10EL-2 QUICK REFERENCE

Height: 2.18" [55.4 mm]  
 Length: 2.79" [70.9 mm]  
 Thickness: .50" [12.7 mm]  
 Lock Force: 250 lbf

### MODEL 10EL/10ELAO/10TREL/10EL-2

Electronic Lock  
 Withstands up to 250 pounds of force  
 Available standard lock/unlock, auto-open, and electronic touch release.



10EL shown

Finish: Zinc and black polymer

Height: 2.18" [55.4 mm]

Length: 2.79" [70.9 mm]

Thickness: .50" [12.7 mm]

Mounting Hardware: #8 pan head screw

Features: Electronic locking mechanism with manual override  
 Withstands up to 250 pounds of force  
 Installation jig assists positioning for doors

10EL: Lock/Unlock, with a detent (open manually)

10ELAO: Auto-Open (automatically opens and propels doors or drawers open about 2" when unlocked)  
 Note: Auto-Open action works best with auto-lock feature.  
 Free swing hinges are recommended for Auto-Open best performance.

10TREL: Electronic touch release and electronic lock.  
 Note: Mechanism propels doors or drawers open when activated by touch.  
 Free swing hinges are recommended for Touch Release best performance.

10EL-2: Standard lock/unlock, for doors or drawers with soft-close hinges or drawers with soft-close slides.

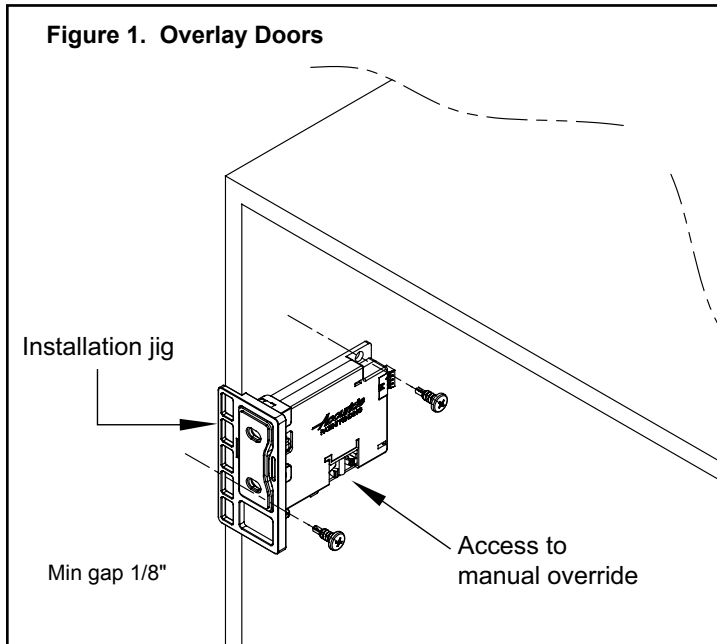


**WARNING!** Before installing the lock, you must have access to the manual override lever or the activation device connected. **Otherwise, you will not be able to unlock and open the door.**

**Overlay Doors**

1. Locate lock assembly by placing the installation jig against the edge of the cabinet at the position desired (Figure 1).
2. Attach the lock assembly to the cabinet using the appropriate mounting screws for your application (Figure 1).

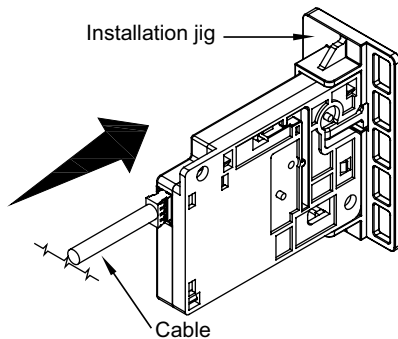
**Figure 1. Overlay Doors**



3. Install the cable to the connector located at the back of the lock assembly. Perform the electrical installation and **make sure the lock assembly locks and unlocks properly before closing the door** (Figure 2).

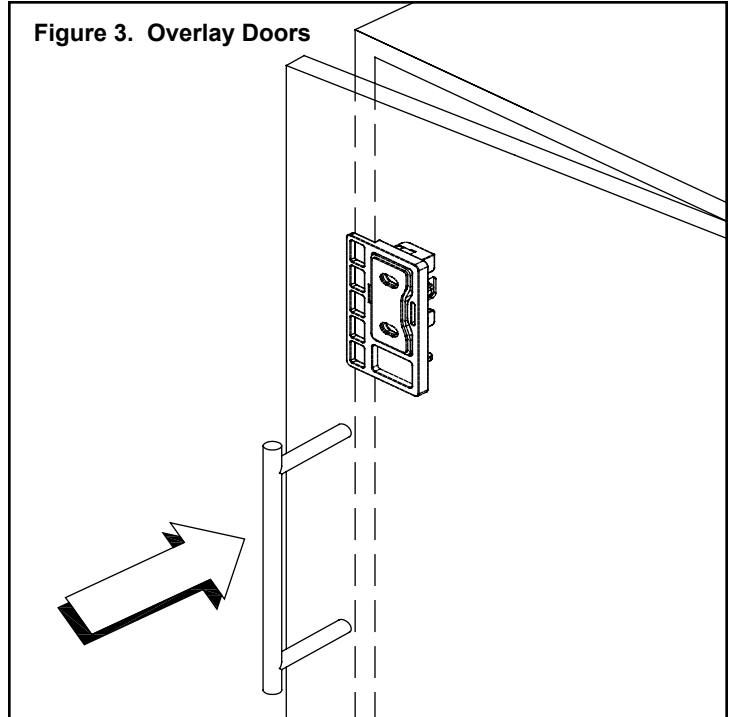
**Figure 2. Overlay Doors**

Be sure you have access to the manual override lever or activation device.



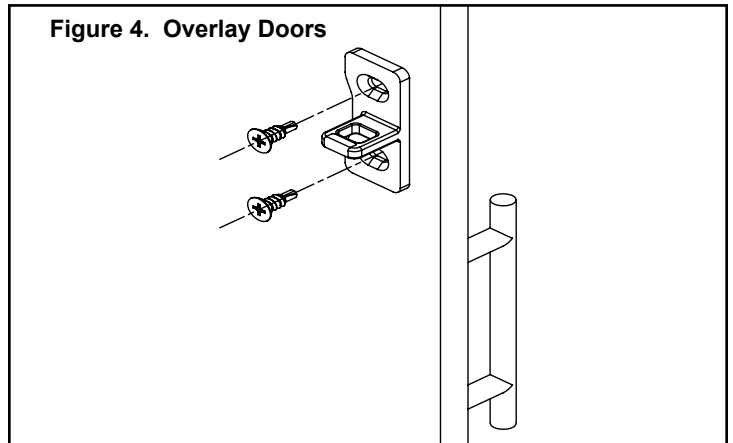
4. Remove one side of the backing from the double-sided tape and apply the tape to the door strike component.
5. With the lock in the closed position, peel the backing off of the double-sided tape on the door strike component.

**Figure 3. Overlay Doors**



6. Close the door and firmly apply pressure to ensure the door striker adheres to the door (Figure 3).
7. Disengage the lock from its closed position using the activation device or manual override.
8. Open the door and remove the installation jig. Attach the door striker using the appropriate flat-head mounting screws for your application (Figure 4).

**Figure 4. Overlay Doors**



**Inset Doors**

1. Drill pilot holes into your cabinet according to Figure 5. Be sure to take panel thickness into consideration.
2. Drill pilot holes into the door according to Figure 6.
3. Install the cable to the connector located at the back of the lock assembly. Perform the electrical installation and **make sure the lock assembly locks and unlocks properly before closing the door.**
4. Fasten lock and door strike respectively, using the appropriate mounting hardware for your application. See Figures 6 and 7.

Refer to Senseon Installation Guide for complete system instructions.

Figure 5. Panel Preparation for Lock

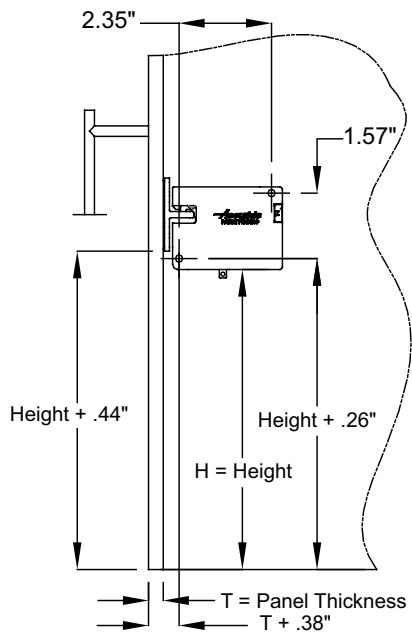


Figure 6. Panel Preparation for Door Strike

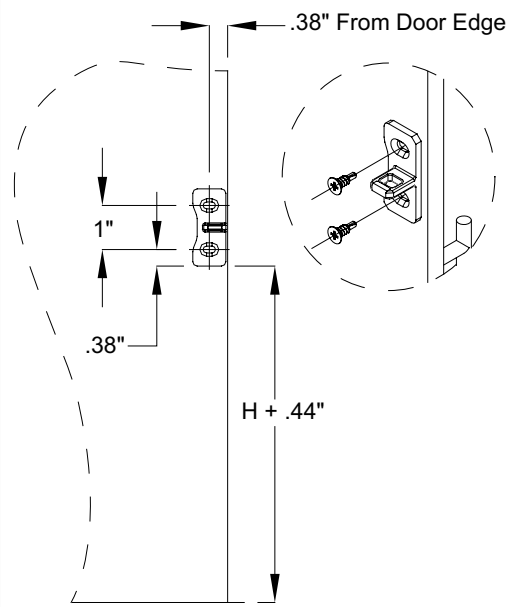
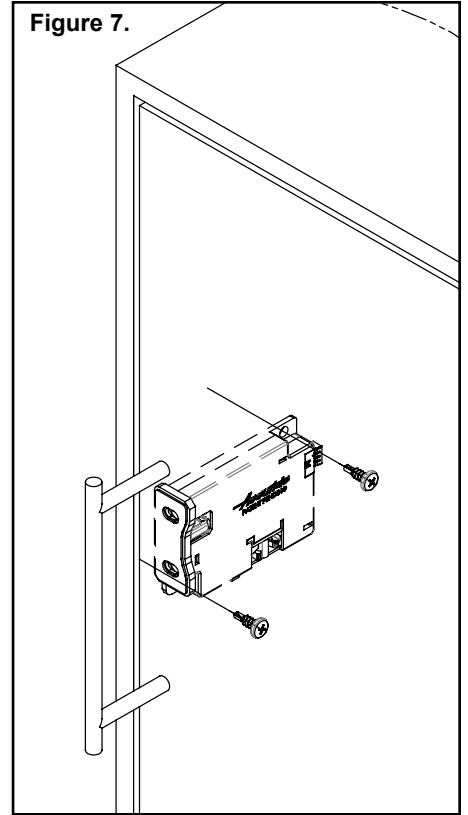
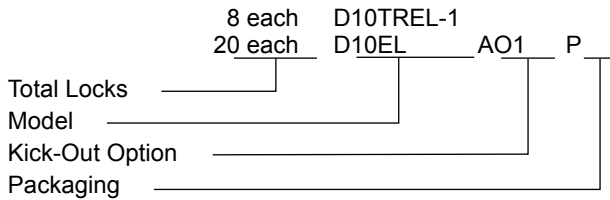


Figure 7.



D10EL-1 (Open Manually)  
 D10EL AO1 (Auto-Open-option)  
 D10TREL-1 (Electronic Touch Release)  
 D10EL-2 (for Soft Close products)

Complete your lock order by specifying the following:



Note: To complete your order include the proximity and the hub kit.

## Required Kits

**Proximity Kit:** One proximity kit per each Senseon System. Part number SEPROX-US-Kit1.

This kit includes:

- 1 RFID Reader
- 1 Power Supply
- 1 Reader Holder
- 1 DC Power Cable
- 1 Reader Splitter Cable
- 1 AC Cord
- 1 Proximity Kit Box
- 2 Power Supply Holders
- 12 Cable Clips

**Hub Kit:** One Hub kit per cabinet opening (drawer or door). Modular wiring kit part number SEHUBX-KIT1.

This kit includes:

- 1 Hub Assembly
- 2 Hub to Lock Cable
- 4 Cable Clips
- 6" Double Stick Tape

## Optional Kits

**Linking Cables:** To connect multiple banks of lock openings.

- Top Linking           SELINK-TOP-KIT1
- Bottom Linking       SELINK-BTM-KIT1

**Extension Cables:** Available in 3 lengths

- 6"   SECBLX-6-KIT1
- 12"  SECBLX-12-KIT1
- 24"  SECBLX-24-KIT1

**Note:** See installation and ordering guides.

Click here for [Installation Guide](#)

Click here for [Ordering Guide](#)

Lock: Zinc and black polymer.  
 All components are RoHS compliant.

**NOTE:** Specifications, materials, prices, terms, and delivery are subject to change without notice.

## Packaging Options

Each individual electronic lock is packaged in a box which includes an installation jig, double sided tape.

Bulk pack (P): Full box quantities, includes 10 electronic locks.

## Warranty

For warranty information visit

<http://www.senseonsecure.com/warranty>

# Accuride®

Accuride International Inc.

12311 Shoemaker Avenue  
 Santa Fe Springs, CA 90670  
 TEL (562) 903-0200  
 FAX (562) 903-0208

Manufacturing, Engineering, and Sales  
 United States • Germany • Japan •  
 Mexico • United Kingdom • China

For the most current technical information visit [www.accuride.com](http://www.accuride.com)

**⚠ WARNING:** This product can expose you to chemicals including nickel, which is known to the State of California to cause cancer and birth defects or other reproductive harm. For more information go to [www.P65Warnings.ca.gov](http://www.P65Warnings.ca.gov).