



## MODEL 38TREL

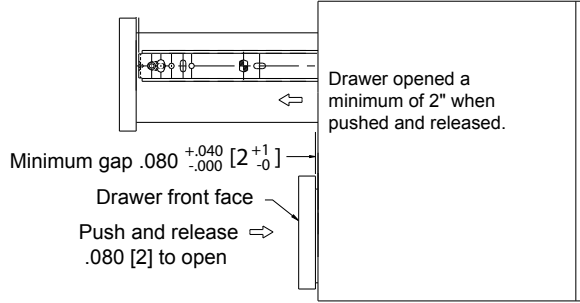
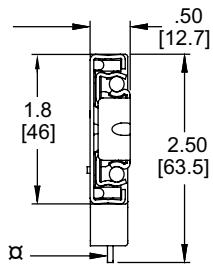
Senseon side mount slide with integrated electronic Touch Release lock. 100lb slide load rating.



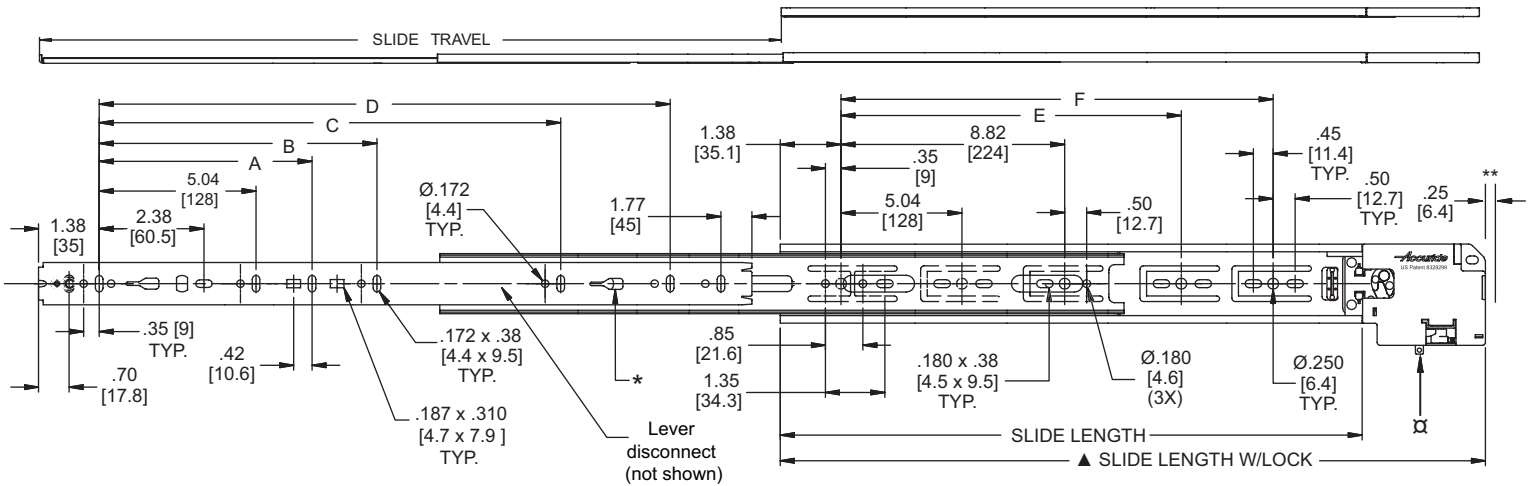
**APPLICATIONS:** Provides an easy-to-install method to secure and control access to drawers. **This product is covered by U.S. (8,328,299), and various patents pending.**

## 38TREL QUICK REFERENCE

Side Space: (1/2"+1/32) X 2  
 Lengths: 12"–28"  
 Height: 1.80"  
 Slide Load: 100-lb.\*  
 Lock Force: 250 lbf.



Inch [mm]    ⌘ Manual Override  
 \* Only available on 24"–28" lengths.  
 \*\* Min Gap for connector 1/4" [6.4 mm]



**Finish:** Clear electroplate(C)

**Lengths:** 12"–28" [300 mm–700 mm]  
**Note:** cabinet depth must include an additional 3" to allow room for the locking mechanism and wiring at the back of the slide.

**SlideLoad Rating:** Up to 100 lbs. [45.5 kg] per pair\*

**Travel:** Full extension

**Disconnect:** Handed lever disconnect

**Height:** 1.80" [46mm]

**Height w/Lock:** 2.50" [63.5mm]

**Side Space:** 0.50 +0.031/-0.0 [12.7mm +0.8/0.0] or 1/2 + 1/32

**Mounting Hardware:** #8 pan or truss head screw (recommended max. head height 0.100)

**Features:** Electronic locking mechanism with manual override. Lock withstands up to 250 pounds of force.

Drawer opens about 2" when activated by touch.

\* Slide load rating based on 18" slides mounted in a 24" wide drawer cycled 50,000 times.

| Part Number | Slide Length | Length w/Lock | Travel      | A          | B           | C           | D           | E           | F           |
|-------------|--------------|---------------|-------------|------------|-------------|-------------|-------------|-------------|-------------|
| D38TR-EL12  | 11.81 [300]  | 14.61 [371]   | 12.00 [305] |            |             |             |             |             |             |
| D38TR-EL14  | 13.78 [350]  | 16.58 [421]   | 14.00 [356] |            |             |             |             |             |             |
| D38TR-EL16  | 15.75 [400]  | 18.55 [471]   | 16.00 [406] |            |             |             |             |             | 12.60 [320] |
| D38TR-EL18  | 17.72 [450]  | 20.51 [521]   | 18.00 [457] |            |             | 12.60 [320] |             |             | 13.86 [352] |
| D38TR-EL20  | 19.68 [500]  | 22.48 [571]   | 20.00 [508] |            |             | 12.60 [320] |             |             | 16.38 [416] |
| D38TR-EL22  | 21.65 [550]  | 24.45 [621]   | 22.00 [559] |            |             | 12.60 [320] | 16.38 [416] | 13.86 [352] | 17.64 [448] |
| D38TR-EL24  | 23.62 [600]  | 26.42 [671]   | 24.00 [610] | 8.82 [224] |             | 16.38 [416] |             | 13.86 [352] | 18.90 [480] |
| D38TR-EL26  | 25.59 [650]  | 28.39 [721]   | 26.00 [660] | 8.82 [224] |             | 16.38 [416] | 21.42 [544] | 13.86 [352] | 21.42 [544] |
| D38TR-EL28  | 27.56 [700]  | 30.36 [771]   | 28.00 [711] | 8.82 [224] | 11.34 [288] | 16.38 [416] | 21.42 [544] | 13.86 [352] | 21.42 [544] |



**WARNING!** Before installing the drawer, insure you have access to the lock's manual override lever or the activation device must be connected and working properly. **Otherwise, you will not be able to unlock the slide and open the drawer.**

**IMPORTANT:**

- Be sure the interior cabinet depth allows for an additional 3" beyond the length of the slide to provide room for the locking mechanism and wiring (Figure 1). See the chart below for minimum cabinet depth. For the inset drawers, be sure to provide sufficient cabinet depth to allow for the slide setback.

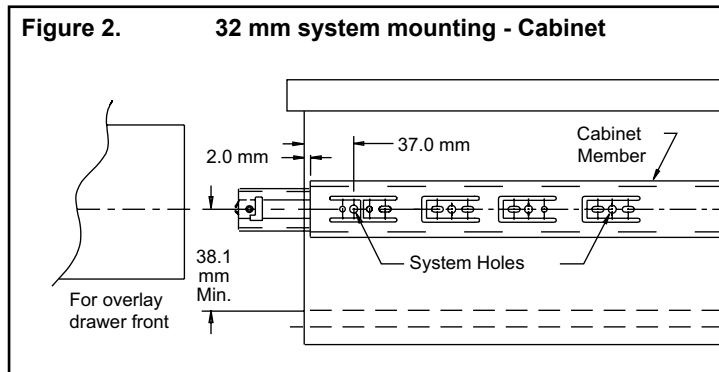
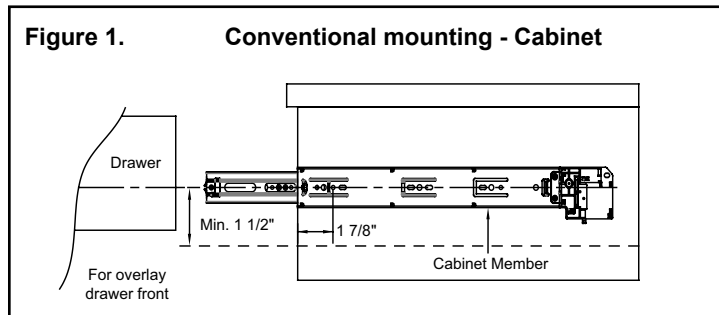
| Slide Length | Min. Cabinet Depth |
|--------------|--------------------|
| 16"          | 19"                |
| 18"          | 21"                |
| 20"          | 23"                |
| 22"          | 25"                |

- Slides will not function properly if side space is less than .50" [12.7 mm]. For optimum performance, construct drawer 1-1/16" [27.0 mm] smaller than the opening of the cabinet.

**Slide Installation**

**Install Cabinet Member**

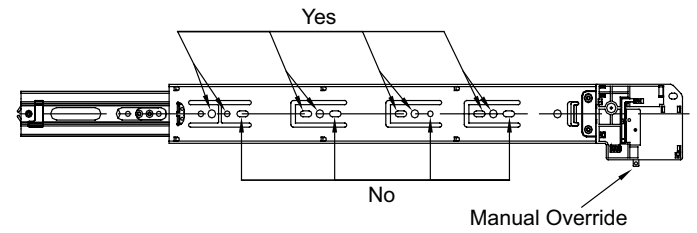
1. Separate the slide members by first actuating the manual override located on the locking mechanism.
2. Then, lift the disconnect lever to release the inner (drawer) member.
3. Overlay drawer front:
  - Conventional mounting, see Figure 1.
  - 32 mm system mounting, see Figure 2.



4. Inset drawer front:
  - Slide setback is the thickness of the drawer front plus 1/8" [3.2 mm].
5. Use only the 32 mm system holes or the wood screw holes located at the tip of the breathing tabs. Do not use any other holes on the cabinet member for mounting (Figure 3).

**Figure 3. Cabinet Member Fastener Locations**

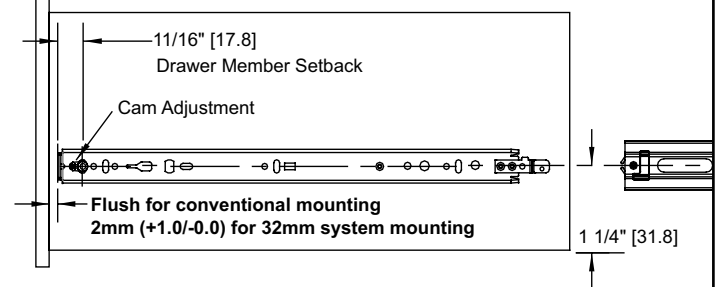
Use all mounting tabs to achieve load rating.



**Install Drawer Member**

1. See Figure 4 for drawer member setback.
2. Install the drawer member with a screw through the cam adjuster and a screw through a hole or slot at the rear (see Figure 4).

**Figure 4. Conventional Mounting and 32 mm Mounting - Drawer**



**Drawer Insertion and Adjustment**



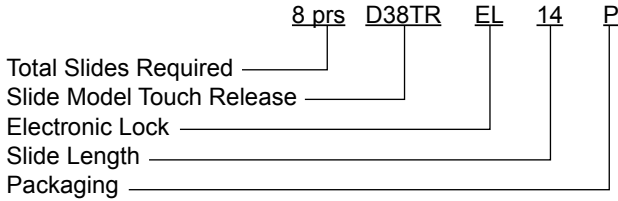
**WARNING!** Before installing the drawer, you must have access to the lock's manual override lever or the activation device must be connected and working properly. **Otherwise, you will not be able to unlock the slide and open the drawer.**

1. Make sure the ball bearing retainers in the cabinet are fully forward. Install drawer into cabinet and close the drawer.
2. Install additional screws to secure the drawer-member after verifying form and function install.

Refer to Senseon Installation Guide for complete system instructions.

D38TR-EL (Touch Release)

Complete your slide order for 38TREL by specifying the following:



**Required Kits**

**Proximity Kit:** One proximity kit per each Senseon system. Part number SEPROX-US-Kit1.

- This kit includes:
- 1 RFID Reader
  - 1 Power Supply
  - 1 Reader Holder
  - 1 DC Power Cable
  - 1 Reader Splitter Cable
  - 1 AC Cord
  - 1 Proximity Kit Box
  - 2 Power Supply Holders
  - 12 Cable Clips

**Hub Kit:** One Hub Kit per cabinet opening (drawer and door). Modular wiring kit part number SEHUBX-Kit1.

- This kit includes:
- 1 Hub Assembly
  - 2 Hub to Lock Cable
  - 4 Cable Clips
  - 6" Double Stick Tape

**Optional Kits**

**Linking Cables:** To connect multiple banks of lock openings.

- Top Linking           SELINK-TOP-KIT1
- Bottom Linking       SELINK-BTM-KIT1

**Extension Cables:** Available in 3 lengths

- 6"   SECBLX-6-KIT1
- 12"  SECBLX-12-KIT1
- 24"  SECBLX-24-KIT1

**Note:** See installation and ordering guides.

Click here for [Installation Guide](#)

Click here for [Ordering Guide](#)

**Specifications**

Slide members and ball retainers: Cold rolled steel  
 Ball bearings: Carburized steel/acetal polymer  
 Lock: Zinc and black polymer  
 RoHS compliant

**NOTE:** Specifications, materials, prices, terms, and delivery are subject to change without notice.

A pair of slides packaged in a box with two 38TREL e-locks.

**Bulk Pack (P):** Full box quantity, electronic locks are packaged in a larger box with 4 individual boxes with a pair of 38TREL each.

Note: To complete your order refer to required kit part numbers.

**Warranty**

For warranty information visit <http://www.senseonsecure.com/warranty>



Accuride International Inc.  
 12311 Shoemaker Avenue      Manufacturing, Engineering, and Sales  
 Santa Fe Springs, CA 90670    United States • Germany • Japan •  
 TEL (562) 903-0200            Mexico • United Kingdom • China  
 FAX (562) 903-0208

For the most current technical information visit [www.accuride.com](http://www.accuride.com)

**⚠ WARNING:** This product can expose you to chemicals including nickel, which is known to the State of California to cause cancer and birth defects or other reproductive harm. For more information go to [www.P65Warnings.ca.gov](http://www.P65Warnings.ca.gov).