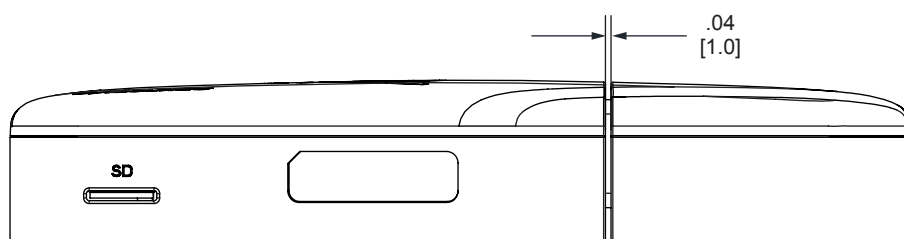
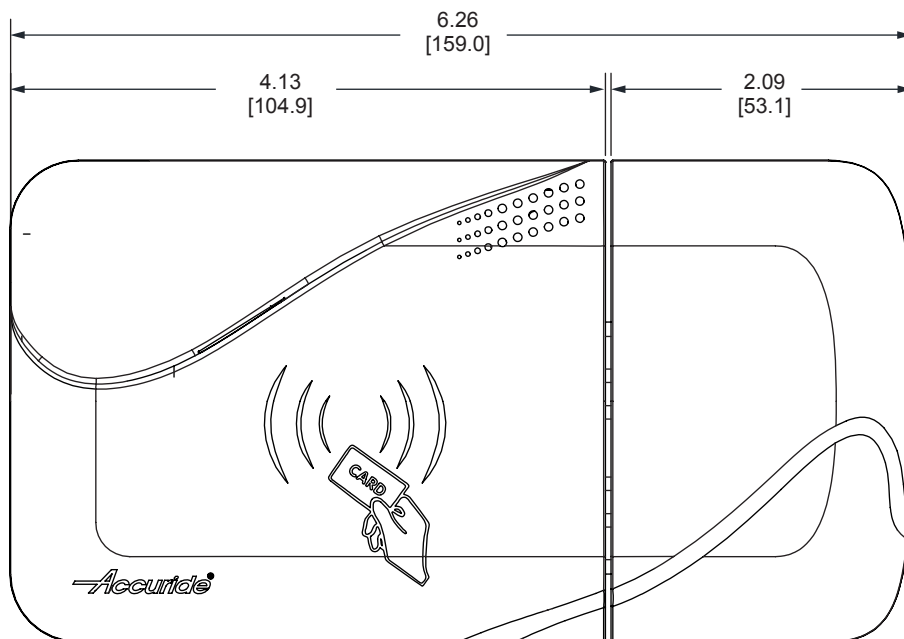
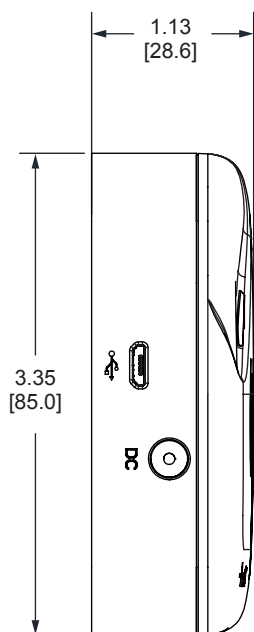


FRI+GiGUARD™

FGUARD-EL1

Applications: Designed to secure contents in refrigerators and freezer units in the medical industry, including hospitals, clinics, pharmacies, laboratories, etc.



Inches
[mm]

Finishes: Zinc and polymer

Height: 3.35" [85 mm]

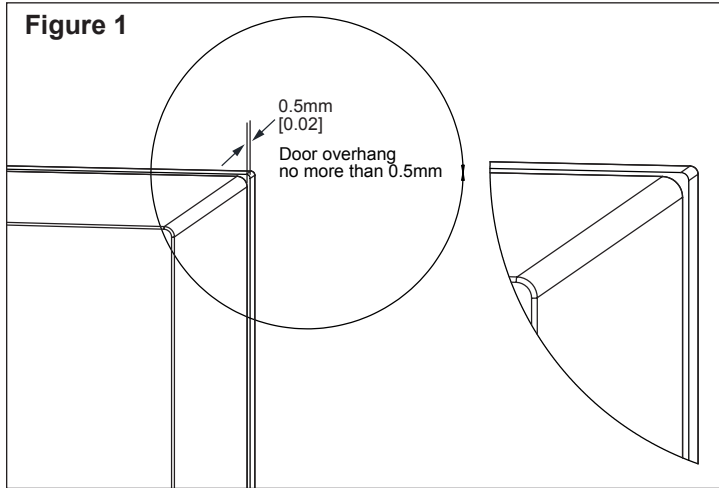
Length: 6.26" [159 mm]

Adhesive: High strength acrylic structural adhesive recommended, but **not included**, like 3M scotch weld adhesive PN DP8407NNS, DP8410NS, or similar.

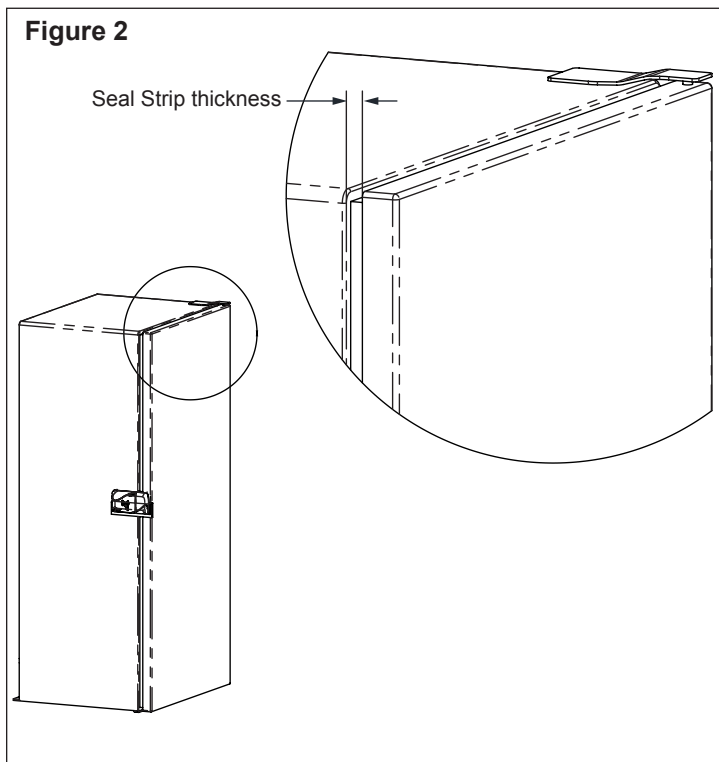
RFID Cards: Compatible with Mifare standard 13.56MHz. **Not included**.
Optional cards available for purchase part number SPLUS-CRD10KIT (10 cards).

USB Cable: USB 2.0 Type A-male to Micro B-males, connector must be greater than 6 mm, use for initial setup **not included**.

1. Before you get started, be sure the refrigerator door is flush with the refrigerator body or within 0.020" [0.5mm], as shown in Figure 1. If the distance is greater a shim will be required.

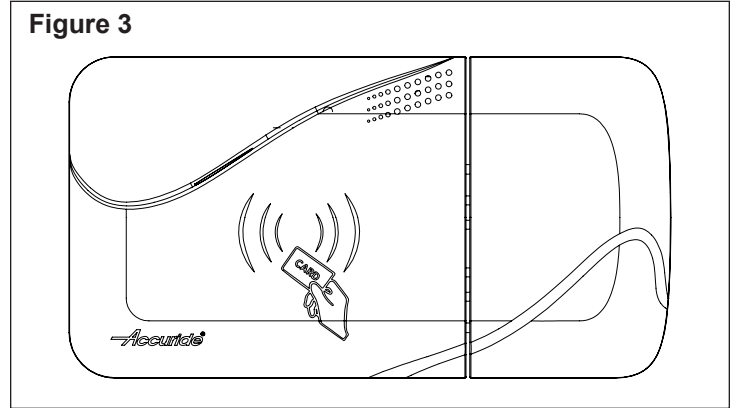


2. Measure the door gap of the seal strip (see Figure 2). This measurement will be required during installation.

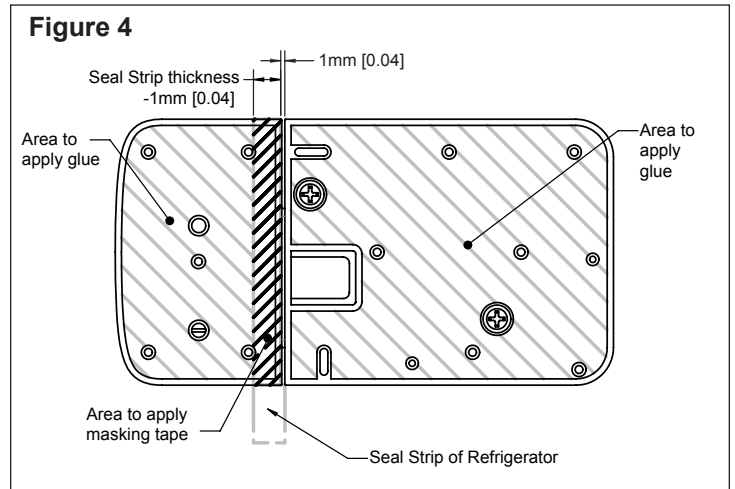


Installation

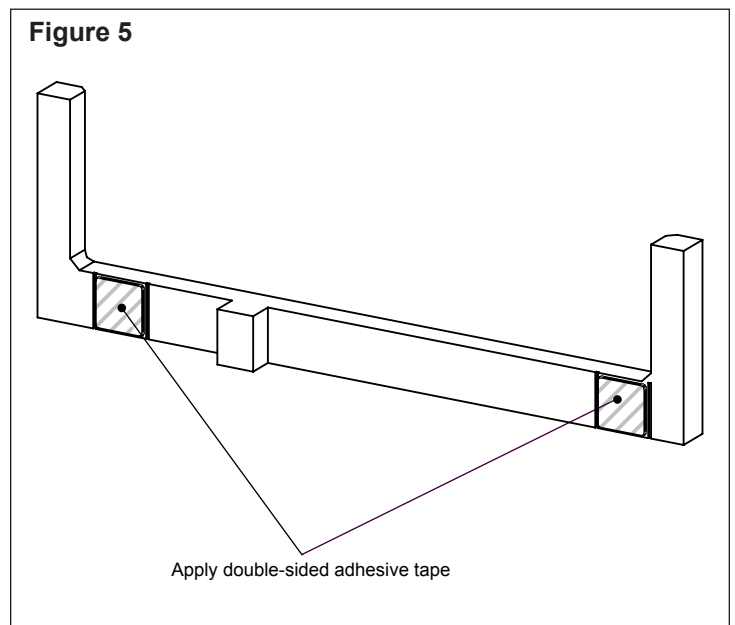
Remove FridgiGuard from packaging (Figure 3).



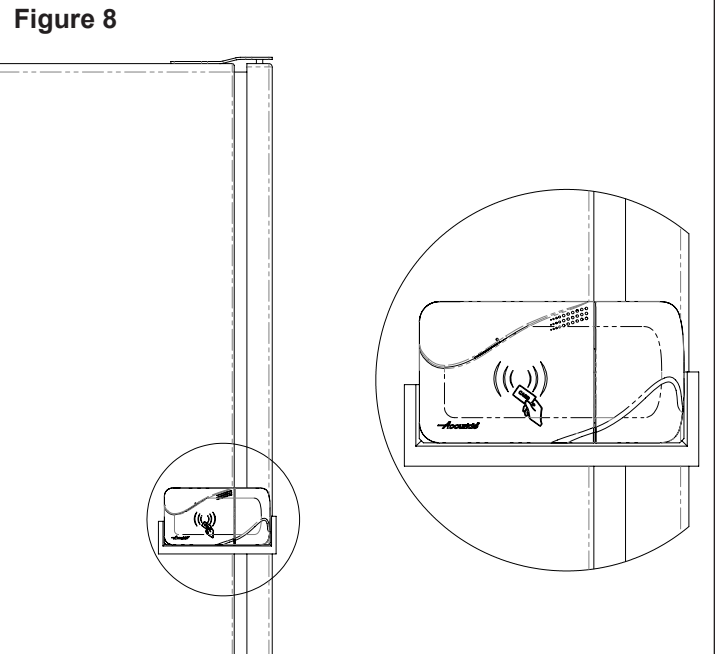
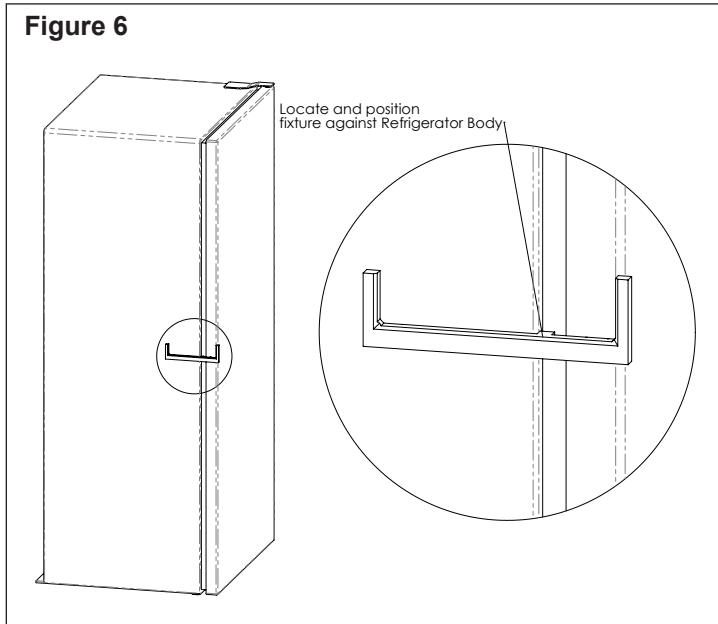
Turn over FridgiGuard. Mask off the area for the seal strip measurements done on the pre-installation Step 2 using a masking tape (not provided). See Figure 4.



Retrieve the installation jig from the packaging. Apply the included double-sided tape square to the back of the jig as shown in Figure 5. Remove the backing in preparation to adhere the jig to the refrigerator.



Locate and position the installation jig. Clean the area where FridgiGuard will be installed with alcohol. Position the jig as shown with FridgiGuard against the refrigerator body. Press and hold the jig until the double-sided tape adheres. See Figure 6.

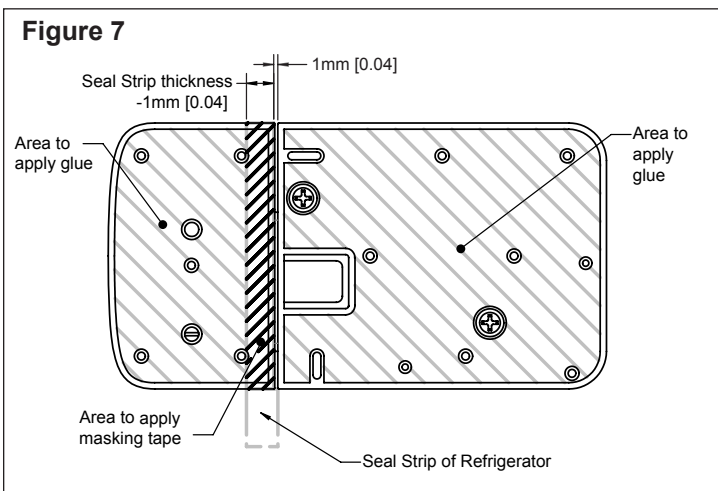


NOTE: After setup unlock FridgiGuard and remove masking tape. To access the manual release contact technical support at fridgiguardsupport@accuride.zendesk.com.

Apply the adhesive to the back of the lock in the areas shown. A thin layer of adhesive should be applied evenly in these designated areas. Figure 7.

! Do not apply adhesive to the masking tape.

CAUTION: See working time for the adhesive to make sure you allow enough time to adhere for proper installation.



Once the adhesive is applied, position FridgiGuard in the installation jig as shown. Hold it in this jig, applying pressure until the glue has adhered FridgiGuard to the refrigerator. Hold time should be found on the adhesive instructions. Once FridgiGuard adheres to the refrigerator, the jig can be removed. See Figure 8.

Packaging

Packaging includes the following:

- FridgiGuard 1X
- Installation jig 1X
- Power adapter (wall mount 5VDC 1Amp) 1X
- Screws 2X
- Double sided tape

RFID cards, USB cable, masking tape and adhesive not included.

Ordering Instructions

To order FridgiGuard specify part number FGUARD-EL1. To order cards specify SPLUS-CRD10KIT, for a pack of 10 RFID cards.

Specifications

FridgiGuard: Zinc and Polymer
 Installation jig: Polymer
 RoHS compliant

NOTE: Specifications, materials, prices, terms, and delivery are subject to change without notice.



Accuride International Inc.

12311 Shoemaker Avenue
 Santa Fe Springs, CA 90670
 TEL (562) 903-0200
 FAX (562) 903-0208

Manufacturing, Engineering, and Sales
 United States • Germany • Japan •
 Mexico • United Kingdom • China

For the most current technical information visit www.senseon.com

! WARNING: This product can expose you to chemicals including nickel, which is known to the State of California to cause cancer and birth defects or other reproductive harm. For more information go to www.P65Warnings.ca.gov.

Warranty

One (1) Year warranty.